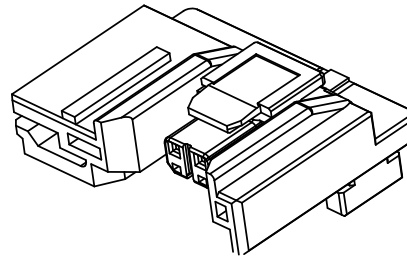
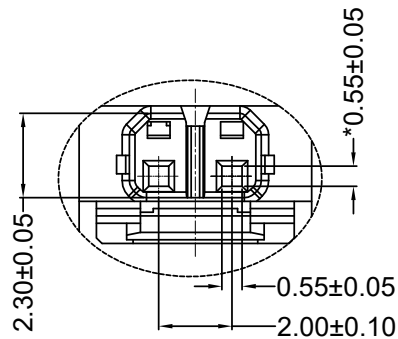
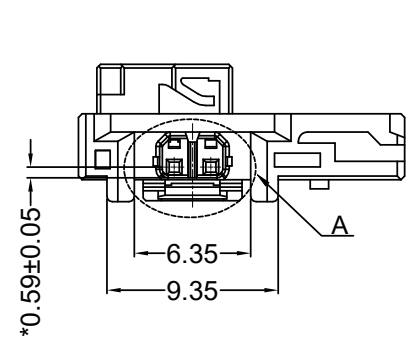


RoHS

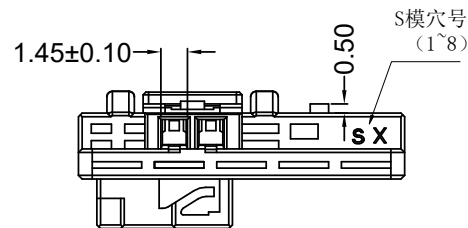
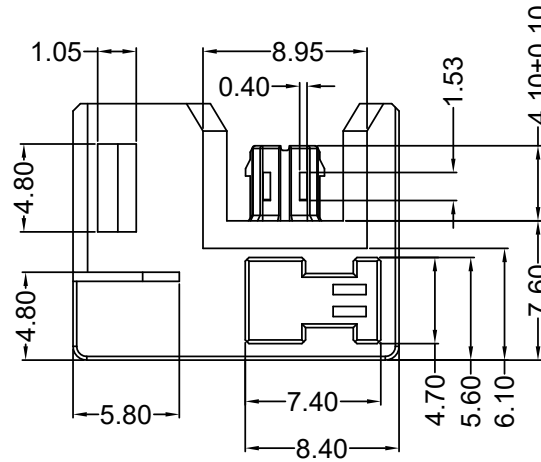
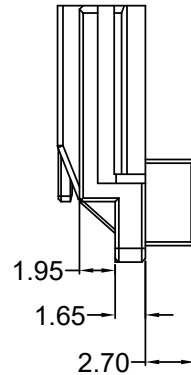
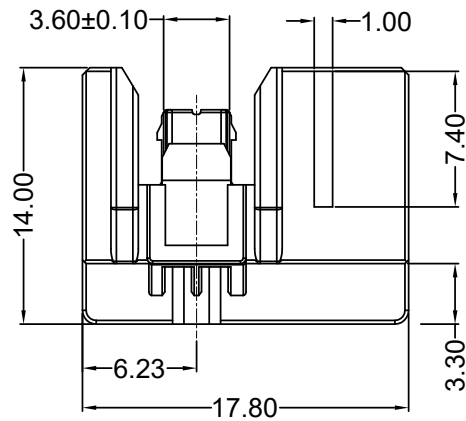
This products can apply to the SWB Doc NO. QA-3-04-005 of Environmental&Material Management Rules



■ Specifications :

- Voltage rating: 250V AC / DC
- Current rating: 3A AC / DC
- Withstanding voltage: 1000V AC/minute
- Temperature range: -40° C~+105° C
- Insulation resistance: ≥1000MΩ
- Contact resistance: ≤10mΩ
- After environmental testing: ≤20mΩ

局部视图 A
比例 2:1



2033 H - 02 - N0 HF XX

- ① ② ③ ④ ⑤ ⑥

- ① Series No.
- ② Category: H-HSG
- ③ Connector Type: M-Male HSG
- ④ Row No.-Pin No: 2xXX-Double Row 2xXXPin
- ⑤ Plastic material: N0- PA66 UL94V-0
- ⑥ Color: NC-White;BK-Black;

					GENERAL TOLERANCE .X ±0.35 .XX ±0.25 .XXX ±0.15 X.° ±2°				东莞市思索连接器有限公司 SWB CONNECTORS CO.,LTD				PART NO. 2033H-02-N0HFNC												
					APPROVAL Kim Huang				CHECK Robing Bi				DRAWN Larry Yang				DATE 2020.07.02				TITLE 2.00 mm Crimp Style Connectors				
DATE	REV	ECN NO	DESCRIPTION	MODIFY	APPROVAL	PROJECT				UNIT	SCALE	SHEET	REV	NUMBER											
1		2		4						mm	1:1	1/1	A0	A-000											