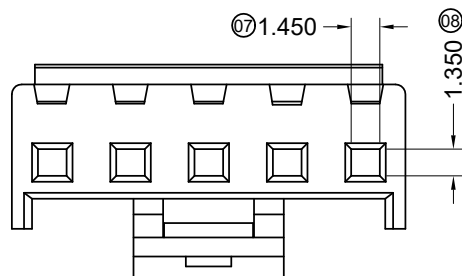
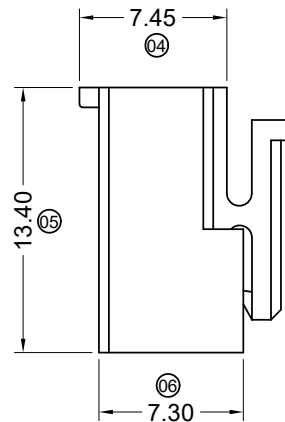
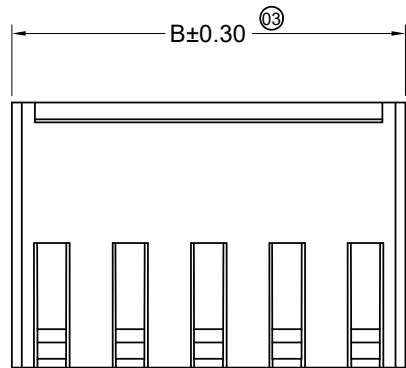
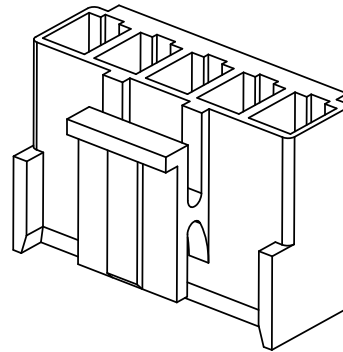
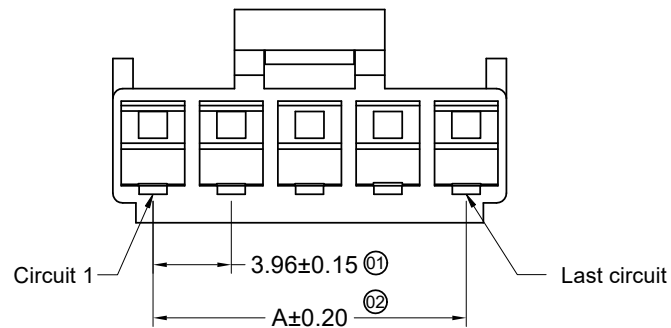


RoHS

This products can apply to the SWB Doc NO. QA-3-04-005 of Environmental&Material Management Rules



■ Specifications :

- Voltage rating: 250V AC / DC
- Current rating: 7A AC / DC
- Withstanding voltage: 1500V AC/minute
- Temperature range: -25°C~+85°C
- Insulation resistance: ≥1000MΩ
- Contact resistance: ≤10mΩ
- After environmental testing: ≤20mΩ
- Suitable SWB Terminal: 9396T
- Mates With SWB Wafer: 9396W

9396 H X - XX X - N0 XX

① ②③ ④⑤ ⑥ ⑦

- ① Series No.
- ② Category: H-HSG
- ③ Connector: Blank-Ordinary
- ④ Row No.-Pin No Per Row: XX-Single Row
- ⑤ Plug The Pin & Special No. : Blank-Ordinary
- ⑥ Material: N0-PA66 94V-0
- ⑦ C-Resistance To Glowing Filament

Poles	Dimensions(mm)		Poles	Dimensions(mm)	
	A	B		A	B
02	3.96	8.02	09	31.68	35.74
03	7.92	11.98	10	35.64	39.70
04	11.88	15.94	11	39.60	43.66
05	15.84	19.90	12	43.56	47.62
06	19.80	23.86	13	47.52	51.58
07	23.76	27.82	14	51.48	55.54
08	27.72	31.78	15	55.44	59.50

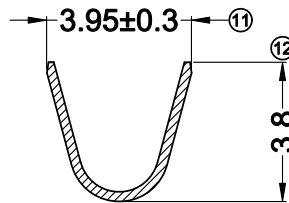
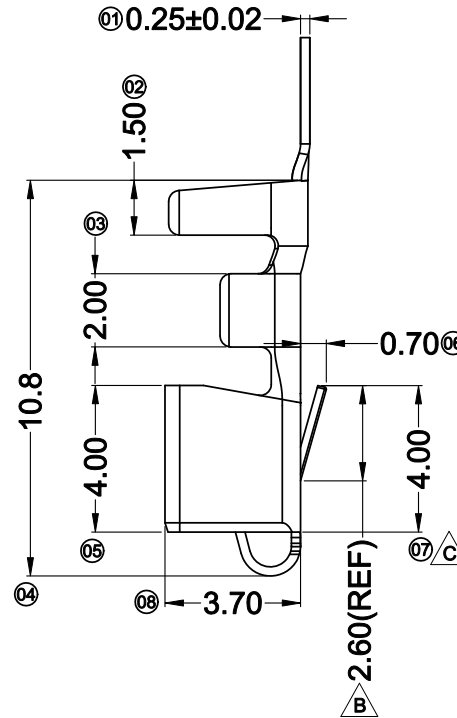
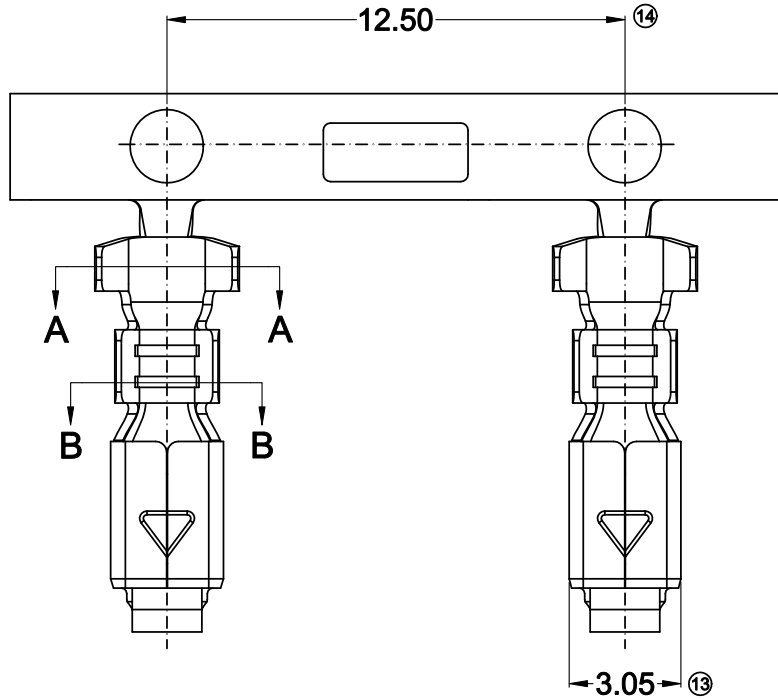


						<p>GENERAL TOLERANCE</p> <p>.X ±0.30</p> <p>.XX ±0.20</p> <p>.XXX ±0.10</p> <p>X.° ±2°</p>				<p>东莞市思索连接器有限公司</p> <p>SWB CONNECTORS CO.,LTD</p>				<p>PART NO.</p> <p>9396H-XX-N0</p>												
						<p>APPROVAL</p> <p>Robing</p>				<p>CHECK</p> <p>Jacky</p>				<p>DRAWN</p> <p>Alan qin</p>				<p>DATE</p> <p>2013/11/15</p>				<p>TITLE</p> <p>3.96mm Crimp Style Connectors</p>				
2020/03/23	C	EN20200323001	Update Drawing Frame	Alan qin	Robing	UNIT		SCALE		SHEET		REV		NUMBER		mm		1:1		1/1		C		A-039		
DATE	REV	ECN NO.	DESCRIPTION	MODIFY	APPROVAL	PROJECT		Robing		Jacky		Alan qin		2013/11/15												

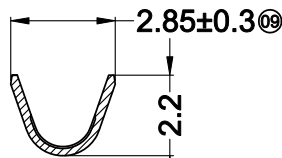
1 2 3 4 5 6 7 8

RoHS

This products can apply to the SWB Doc NO. QA-3-04-005 of Environmental&Material Management Rules



SECTION A-A  
SCALE 1 : 1



SECTION B-B  
SCALE 1 : 1

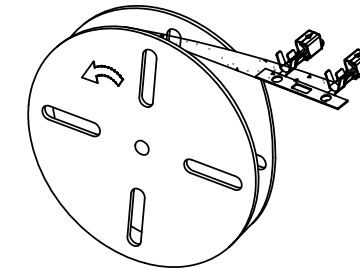
■ Specifications :

- Voltage rating: 250V AC / DC
- Current rating: 7A AC / DC
- Withstanding voltage: 1500V AC/minute
- Temperature range: -25°C~+85°C
- Insulation resistance: ≥1000MΩ
- Contact resistance: ≤10mΩ
- After environmental testing: ≤20mΩ
- Wire Range: AWG #18-22
- Insulation O.D.: 3.00mm(Max)
- Used In SWB Housing: 9396H

9396 T X - B SN X - 01

- ① ② ③ ④ ⑤ ⑥ ⑦

- ① Series Number
- ② Category: T-Terminal
- ③ Connector Type: Blank-Ordinary
- ④ Material: B-Brass
- ⑤ Plating Code: SN-Bright Tin
- ⑥ Plating Method:  
Blank-Stamping Before Plating
- ⑦ Mold No./Mark/Special No.: 01



Reel Packing After Plating

					<p>GENERAL TOLERANCE</p> <p>.X ±0.30</p> <p>.XX ±0.20</p> <p>.XXX ±0.10</p> <p>X.° ±2°</p>				<p>东莞市思索连接器有限公司</p> <p>SWB CONNECTORS CO.,LTD</p>				<p>PART NO. 9396T-BXX-01</p>				
2020/12/14	C	EN20201214001	Due to large clearance after assembly of HSG, change size No.7.	Larry Yang	Robing	APPROVAL	CHECK	DRAWN	DATE	TITLE							
2020/03/23	B		Modify the length of terminal to match product.	Larry Yang	Robing					3.96mm Crimp Style Connectors							
DATE	REV	ECN NO.	DESCRIPTION	MODIFY	APPROVAL	Robing	Robing	Larry Yang	2019/12/12	UNIT	SCALE	SHEET	REV	NUMBER			
										mm	1:1	1/1	C	A-275			

RoHS

This products can apply to the SWB Doc NO. QA-3-04-005 of Environmental&Material Management Rules



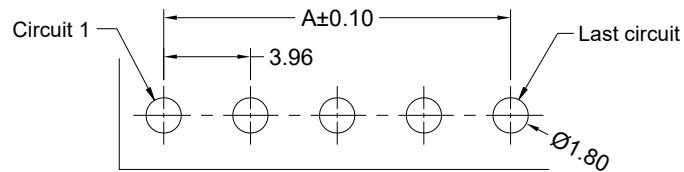
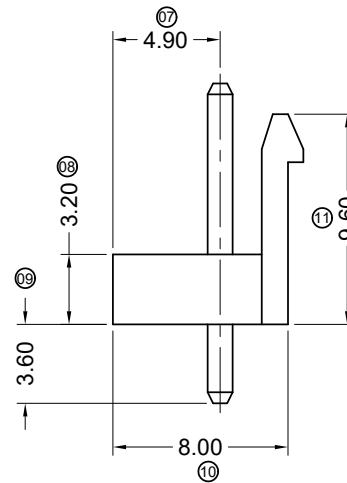
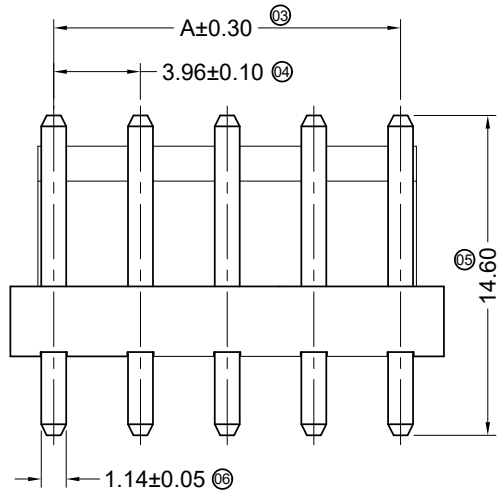
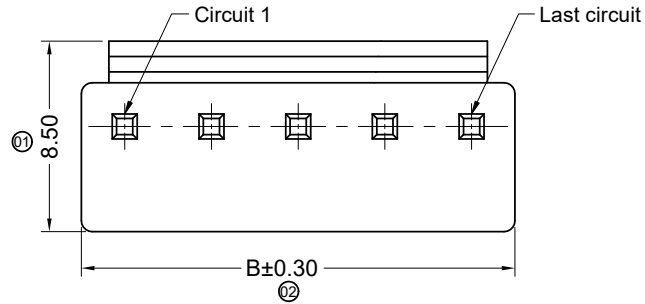
**Specifications :**

- Voltage rating: 250V AC / DC
- Current rating: 7A AC / DC
- Withstanding voltage: 1500V AC/minute
- Temperature range: -25°C~+85°C
- Insulation resistance: ≥1000MΩ
- Contact resistance: ≤10mΩ
- After environmental testing: ≤20mΩ
- Material(Pin): Brass
- Mates With SWB Housing: 9396H

9396 W V X-XX XX-N0 SN-X

① ② ③ ④ ⑤ ⑥ ⑦ ⑧ ⑨

- ① Series No
- ② Category: W-Wafer
- ③ Connector Type: V-180°
- ④ Mouting Type: Blank-DIP
- ⑤ Row No.-Pin No Per Row: XX-02P~15P
- ⑥ Special No.: Blank-Ordinary
- ⑦ Material: N0-PA66 94V-0
- ⑧ Plating Code: SN-Bright Tin
- ⑨ Blank-Spile3.60mm Total long needle14.60mm



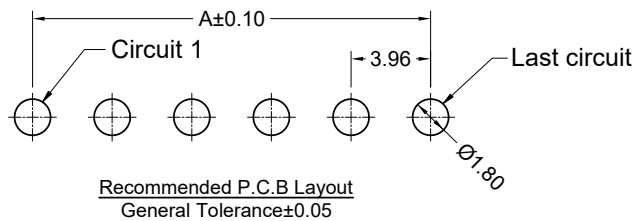
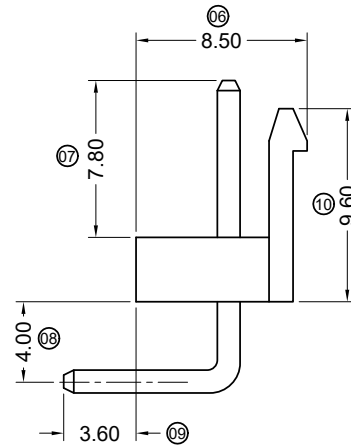
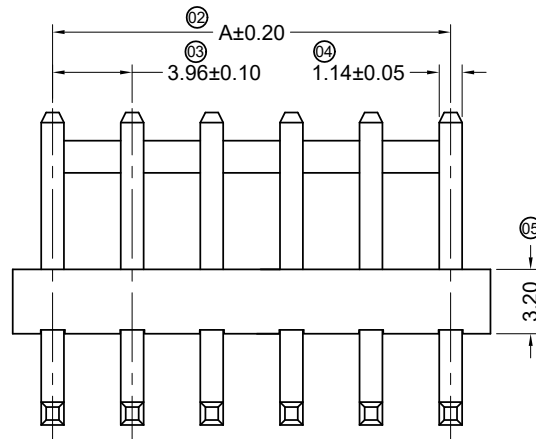
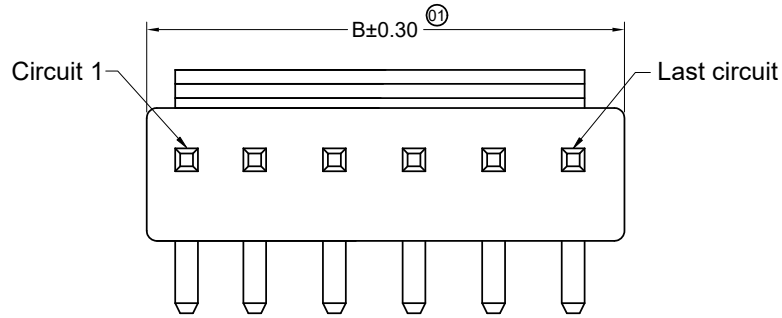
Recommended P.C.B Layout  
General Tolerance±0.05

Poles	Dimensions(mm)		Poles	Dimensions(mm)	
	A	B		A	B
02	3.96	7.92	09	31.68	35.64
03	7.92	11.88	10	35.64	39.60
04	11.88	15.84	11	39.60	43.56
05	15.84	19.80	12	43.56	47.52
06	19.80	23.76	13	47.52	51.48
07	23.76	27.72	14	51.48	55.44
08	27.72	31.68	15	55.44	59.40

					GENERAL TOLERANCE		<b>东莞市思索连接器有限公司</b> SWB CONNECTORS CO.,LTD				PART NO.				
					.X ±0.30						9396WV-XX-N0SN				
					.XX ±0.20		APPROVAL				TITLE				
					.XXX ±0.10						3.96 mm Crimp Style Connectors				
					X.° ±2°		CHECK    DRAWN    DATE Jova Lau    Sylvia    2014/08/07				UNIT				
2020/03/23	B	EN20200323001	Update Drawing Frame	Alan qin	Robing	PROJECT					mm	SCALE	SHEET	REV	NUMBER
DATE	REV	ECN ON.	DESCRIPTION	MODIFY	APPROVAL					Robing    Jova Lau    Sylvia    2014/08/07				mm	1:1

RoHS

This products can apply to the SWB Doc NO. QA-3-04-005 of Environmental&Material Management Rules



Specifications :

- Voltage rating: 250V AC / DC
- Current rating: 7A AC / DC
- Withstanding voltage: 1500V AC/minute
- Temperature range: -25°C~+85°C
- Insulation resistance: ≥1000MΩ
- Contact resistance: ≤10mΩ
- After environmental testing: ≤20mΩ
- Material(Pin): Brass
- Mates With SWB Housing: 9396H

9396 W R X - XX X - N0 SN XX

① ② ③ ④ ⑤ ⑥ ⑦ ⑧ ⑨

- ① Series No.
- ② Category: W-Wafer
- ③ Connector Type:R-90°
- ④ Mounting Type: Blank-DIP
- ⑤ Row No.-Pin No Per Row: XX-Single Row
- ⑥ Special N0: Blank-Ordinary
- ⑦ Material: N0-PA66 94V-0
- ⑧ Planting Code: SN-Bright Tin
- ⑨ Color: Blank-Natural Color

Poles	Dimensions(mm)		Poles	Dimensions(mm)	
	A	B		A	B
02	3.96	7.92	10	35.64	39.60
03	7.92	11.88	11	39.60	43.56
04	11.88	15.84	12	43.56	47.52
05	15.84	19.80	13	47.52	51.48
06	19.80	23.76	14	51.48	55.44
07	23.76	27.72	15	55.44	59.40
08	27.72	31.68	16	59.40	63.36
09	31.68	35.64			

						<p>GENERAL TOLERANCE</p> <p>.X ±0.30</p> <p>.XX ±0.20</p> <p>.XXX ±0.10</p> <p>X.° ±2°</p>				<p>东莞市思索连接器有限公司</p> <p>SWB CONNECTORS CO.,LTD</p>				<p>PART NO.</p> <p>9396WR-XX-N0SN</p>												
						<p>APPROVAL</p> <p>Robing</p>				<p>CHECK</p> <p>Jova Lau</p>				<p>DRAWN</p> <p>Sylvia</p>				<p>DATE</p> <p>2014/01/10</p>				<p>TITLE</p> <p>3.96 mm Crimp Style Connectors</p>				
2020/03/23	B	EN20200323001	Update Drawing Frame	Alan qin	Robing	PROJECT		UNIT		SCALE		SHEET		REV		NUMBER										
DATE	REV	ECN NO.	DESCRIPTION	MODIFY	APPROVAL	PROJECT		UNIT		SCALE		SHEET		REV		NUMBER										
						PROJECT		UNIT		SCALE		SHEET		REV		NUMBER										

1 2 3 4 5 6 7 8