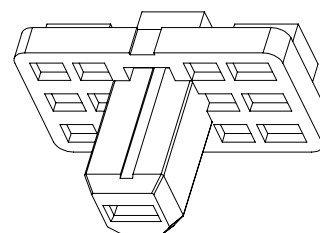
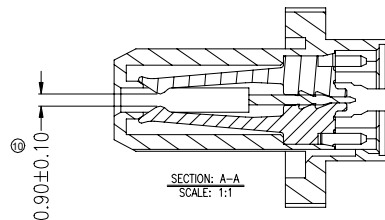
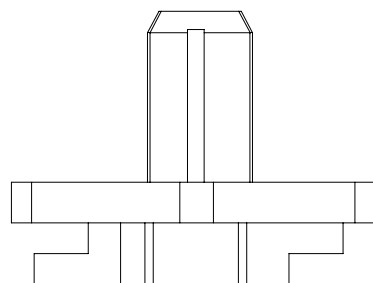
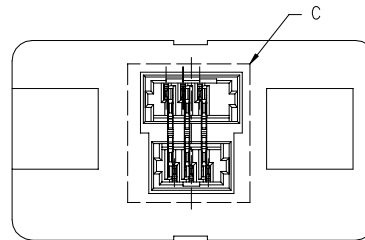
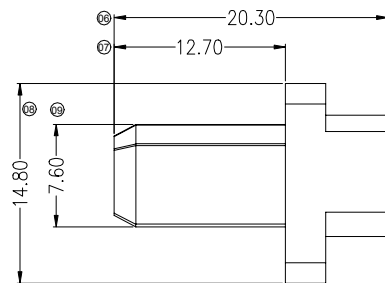
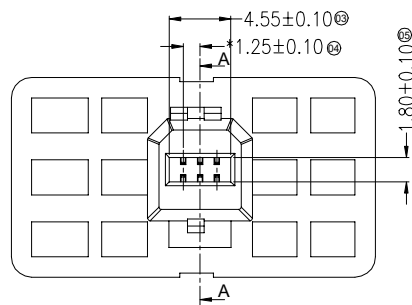
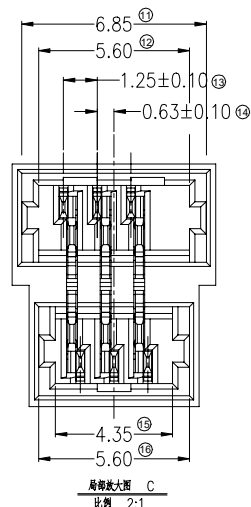
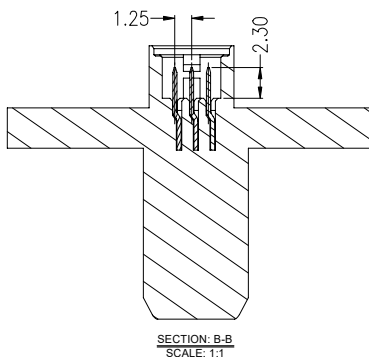
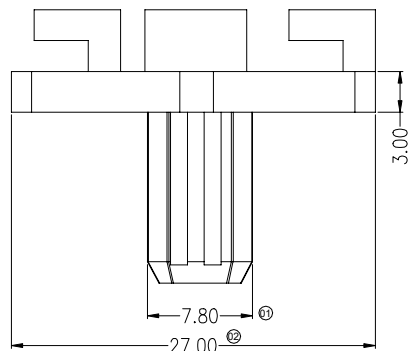


RoHS

This products can apply to the SESO Doc NO. QA-3-04-005 of Environmental&Material Management Rules



Specifications :

- Voltage rating: 125V AC / DC
- Current rating: 1.0A AC / DC
- Withstanding voltage: 500V AC/minute
- Temperature range: -25°C~+85°C
- Insulation resistance: ≥100MΩ
- Contact resistance: ≤20mΩ
- After environmental testing: ≤40mΩ
- Material(Pin): Phosphor bronze
- Mates With SWB Wafer: B0125V

0125 W V A - 2 x03 - N0 B P 37 B R 001 F
 ① ②③④ ⑤ ⑥⑦⑧⑨ ⑩⑪ ⑫ ⑬

- ① Series No.
- ② Category: W-wafer
- ③ Connector type: V-Straight 180°
- ④ Mounting type: A-Male Housing
- ⑤ Row No.-Pin No per row: 2x03-Single Row 2x03Pin
- ⑥ Plastic material: N0- PA66 94V-0;
- ⑦ Color: B-Black;
- ⑧ Metal material: P-Phosphor bronze
- ⑨ Plating Code: 37- nickel base at all area Min 50 u ", bright tin Min 100u ",gold-plated at contact region Min 3u".
- ⑩ Packag: B-bags
- ⑪ Green code: R-RoHS
- ⑫ Water code: 001
- ⑬ Special code:
F----Other Connectors

					GENERAL TOLERANCE				PART NO.					
					.X ±0.30				0125MVA-2x03-N0BP37BR001F					
					.XX ±0.20				TITLE					
					.XXX±0.10				1.25mm Crimp Style Connectors					
					X.' ±2'				APPROVAL					
2023/08/08	B		Update Drawing Frame	LXZ	Larry Yang	Smark	Joshua	Alan qin	2019/03/16	UNIT	SCALE	SHEET	REV	NUMBER
DATE	REV	ECN NO.	DESCRIPTION	MODIFY	APPROVAL					mm	1:1	1/1	B	A-014

SMS 东莞市思索技术股份有限公司
Dongguan SESO Technology Co.,Ltd.