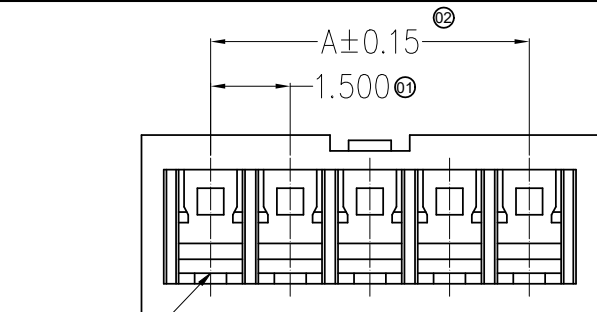
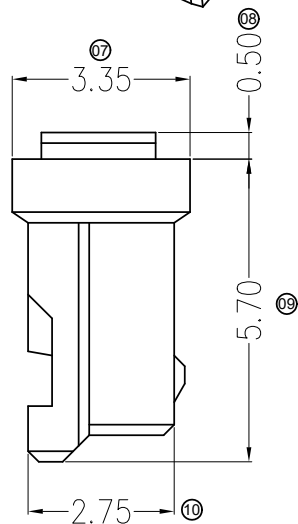
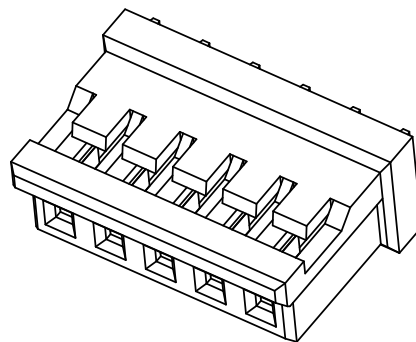
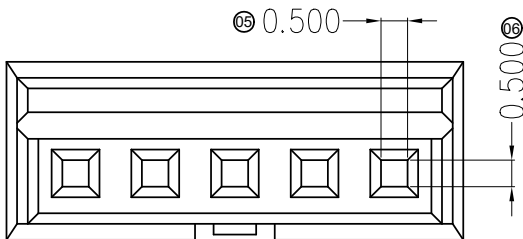
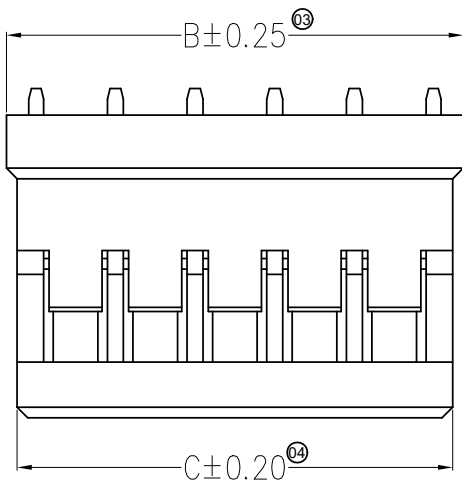


RoHS

This products can apply to the SESO Doc NO. QA-3-04-005 of Environmental&Material Management Rules



Circuit 1



Specifications :

- Voltage rating: 350V AC / DC
- Current rating: AWG#24 2.5A AC / DC
WG#26 2.0A AC / DC
△ AWG#28 1.5A AC / DC
- Withstanding voltage: 500V AC/minute
- Temperature range: -40°C~+105°C
- Insulation resistance: ≥1000MΩ
- Contact resistance: ≤20mΩ
- After environmental testing: ≤40mΩ
- Suitable SESO Terminal:1511T
- Mates With SESO Wafer:1511W

1511 H X-XX X-NO XX XX
① ②③ ④ ⑤ ⑥ ⑦ ⑧

- ① Series No.
- ② Category:H-HSG
- ③ Welding Board Angle:Blank-ordinary
- ④ Row No.-Pin No.: XX-02P~15P
- ⑤ Special No.:
- ⑥ Material:NO-PA66 94V-0
- ⑦ HF-Halogen Free
- ⑧ Color:Blank-White Color RE-Red
GE-Green BL-Blue

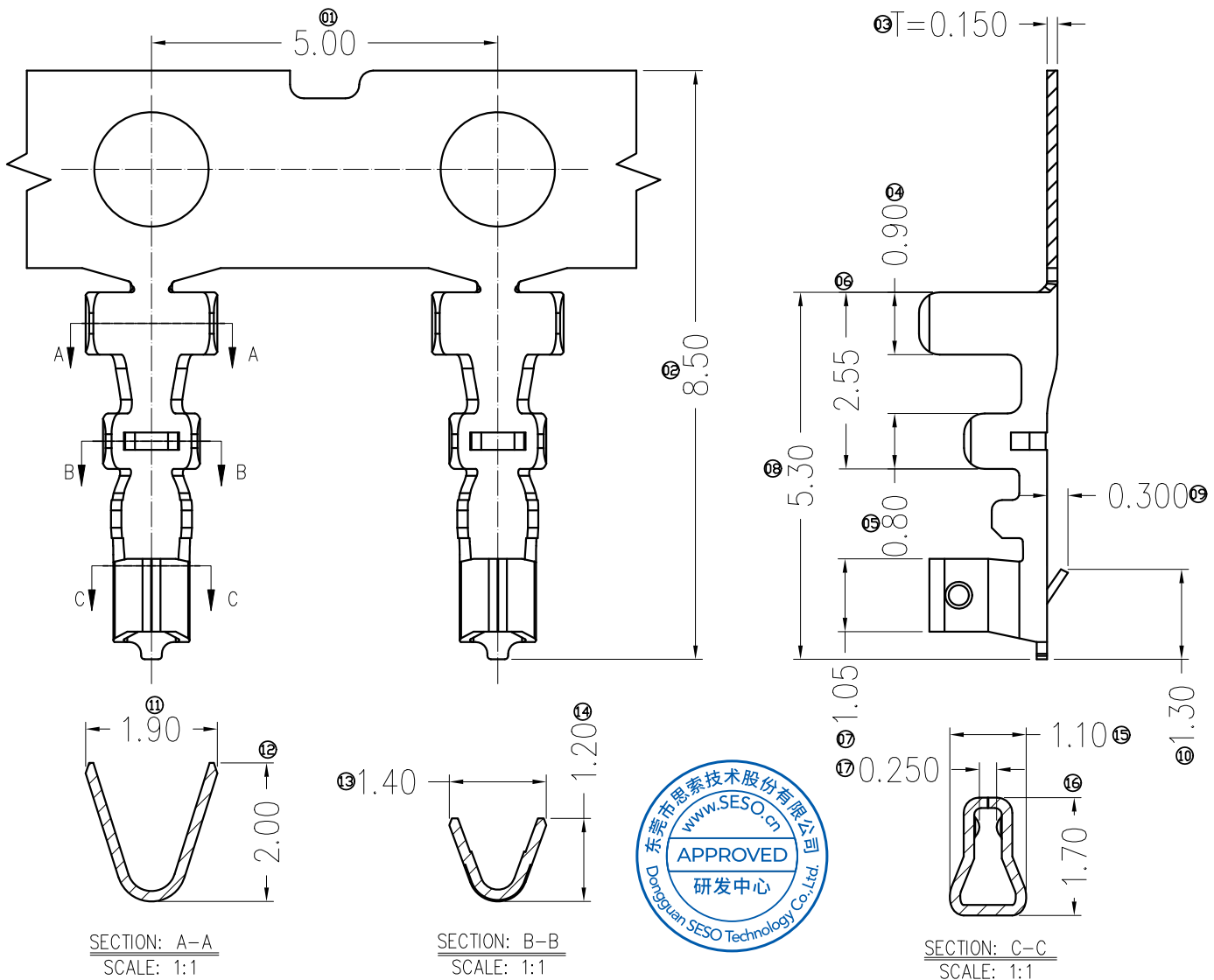


Poles	Dimensions (mm)			Poles	Dimensions (mm)		
	A	B	C		A	B	C
02	1.50	4.10	3.70	09	12.00	14.60	14.20
03	3.00	5.60	5.20	10	13.50	16.10	15.70
04	4.50	7.10	6.70	11	15.00	17.60	17.20
05	6.00	8.60	8.20	12	16.50	19.10	18.70
06	7.50	10.10	9.70	13	18.00	20.60	20.20
07	9.00	11.60	11.20	14	19.50	22.10	21.70
08	10.50	13.10	12.70	15	21.00	23.60	23.20

2019/10/31	G	EN20191031001	Modify the Current rating △G	sylvania	Robing	东莞市思索技术股份有限公司 Dongguan SESO Technology Co.,Ltd.				PART NO. 1511H-XX-NOXXXX					
2017/11/29	F	K20171129001	New red, blue ,greenspecifications	Yu wei	Jacky					TITLE 1.50mm Crimp Style Connectors					
2015/04/20	E	/	Modify drawing frame format	jian.He	Jova Lau	APPROVAL	CHECK	DRAWN	DATE	UNIT SCALE SHEET REV NUMBER mm 1:1 1/1 G CD					
DATE	REV	ECN NO.	DESCRIPTION	MODIFY	APPROVAL	PROJECT	Jack Zhang	Larry Yang	Wuxiaotao	2014/05/29					

RoHS

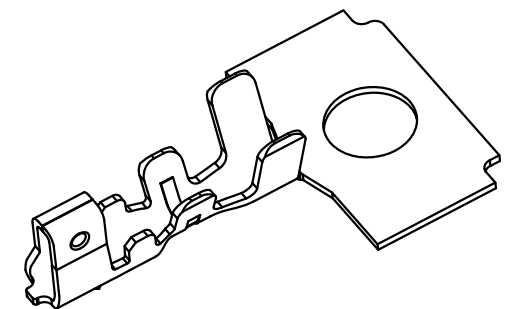
This products can apply to the SESO Doc NO. QA-3-04-005 of Environmental&Material Management Rules




- Specifications :
- Voltage rating: 350V AC / DC
 - Current rating: AWG#24 2.5A AC / DC
AWG#26 2.0A AC / DC
AWG#28 1.5A AC / DC
 - Withstanding voltage: 500V AC/minute
 - Temperature range: -40°C~+105°C
 - Insulation resistance: $\geq 1000M\Omega$
 - Contact resistance: $< 20m\Omega$
 - After environmental testing: $< 40m\Omega$
 - Wire Size: AWG#24~28
 - Insulation O.D.: 1.10mm(Max)
 - Used In SESO Housing: 1511H

1511 T X- P SN X -X
① ② ③ ④ ⑤ ⑥ ⑦

- ① Series Number
- ② Category: T-terminal
- ③ Connector type: Blank-ordinary
- ④ Material: P-Phosphor bronze
- ⑤ Plating code: SN-Bright tin plating
G01-Contact Area Gold Flash
V01-Gold Flash
- ⑥ Plating method:
Blank-Stamping before plating
- ⑦ Mold No./Mark/Special No.



2020/07/03	H	/	Modify the shrapnel shape	Xue	Robing	 SMS 东莞市思索技术股份有限公司 Dongguan SESO Technology Co.,Ltd.				PART NO. 1511T-PXX					
2019/10/31	G	EN20191031001	Modify the Current rating	Sylvia	Robing					TITLE 1.50mm Crimp Style Connectors					
2019/08/14	E	EN20190814002	Added half gold plating specification	Mandy	Sylvia					APPROVAL	CHECK	DRAWN	DATE	UNIT SCALE SHEET REV NUMBER	
DATE	REV	ECN NO.	DESCRIPTION	MODIFY	APPROVAL					Jack Zhang	Larry Yang	Wuxiaotao	2014/06/11	mm	1:1

RoHS

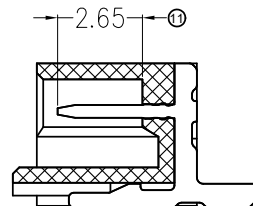
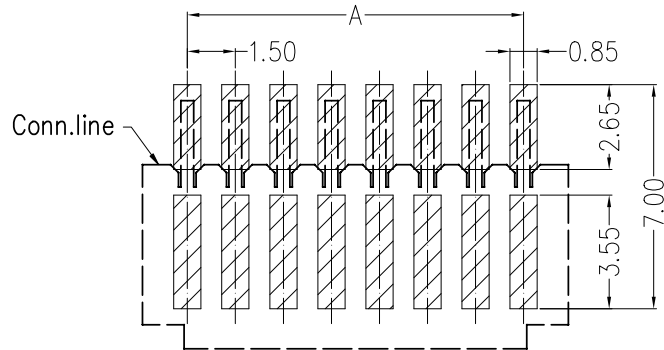
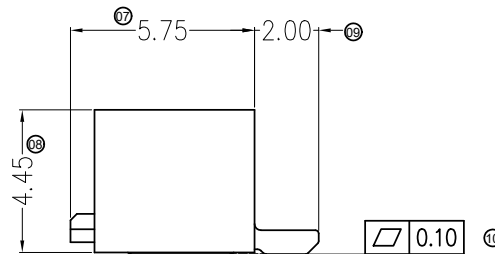
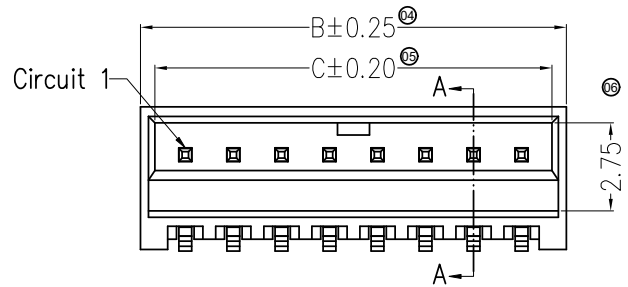
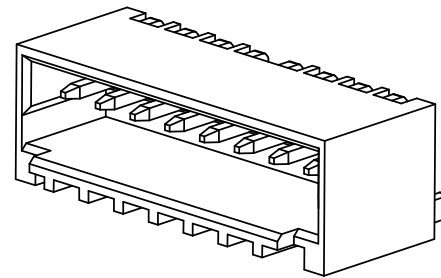
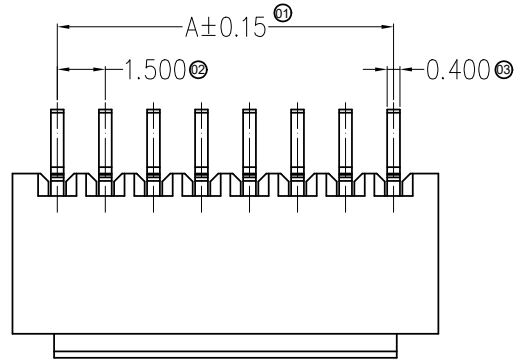
This products can apply to the SESO Doc NO. QA-3-04-005 of Environmental&Material Management Rules

- Specifications :
- Voltage rating: 350V AC / DC
 - Current rating: AWG#24 2.5A AC / DC
 ▲ AWG#26 2.0A AC / DC
 AWG#28 1.5A AC / DC
 - Withstanding voltage: 500V AC/minute
 - Temperature range: -40°C~+105°C
 - Insulation resistance: >1000MΩ
 - Contact resistance: <20mΩ
 - After environmental testing: <40mΩ
 - Material(Pin):Brass
 - Mates With SESO Housing: 1511H

1511 W R S-XX HF-LP SW XX
 ① ② ③ ④ ⑤ ⑥ ⑦ ⑧ ⑨

- ① Series No.
- ② Category:W-wafer
- ③ Connector type: R- Right Angle 90°
- ④ Mounting type: S-SMT
- ⑤ Row No.-Pin No per row: XX-02P~15P
- ⑥ Special No.: HF-Halogen Free
- ⑦ Material:LP -LCP 94V-0
- ⑧ Plating code: SW- Matte Tin Plating;
 V01-Plating Gold flash;
 V04-Contact Area Au 4u" Plating;
- ⑨ Color:Blank-Natural Color ; RE-Red;
 GE-Green ; BL-Blue ; BK-Black

Poles	Dimensions (mm)			Poles	Dimensions (mm)		
	A	B	C		A	B	C
02	1.50	4.30	3.40	09	12.00	14.80	13.90
03	3.00	5.80	4.90	10	13.50	16.30	15.40
04	4.50	7.30	6.40	11	15.00	17.80	16.90
05	6.00	8.80	7.90	12	16.50	19.30	18.40
06	7.50	10.30	9.40	13	18.00	20.80	19.90
07	9.00	11.80	10.90	14	19.50	22.30	21.40
08	10.50	13.30	12.40	15	21.00	23.80	22.90



SECTION A-A
 SCALE 1:1

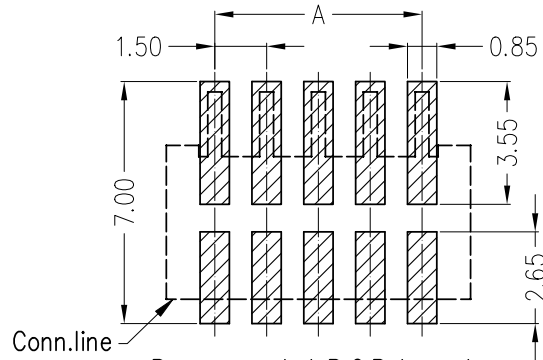
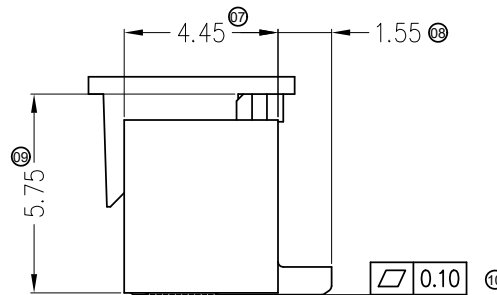
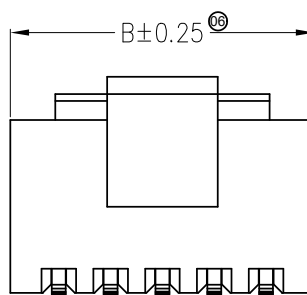
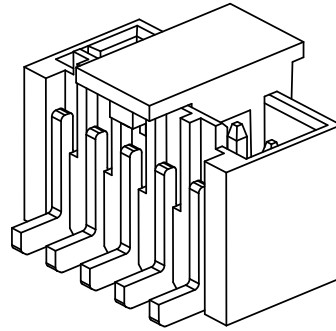
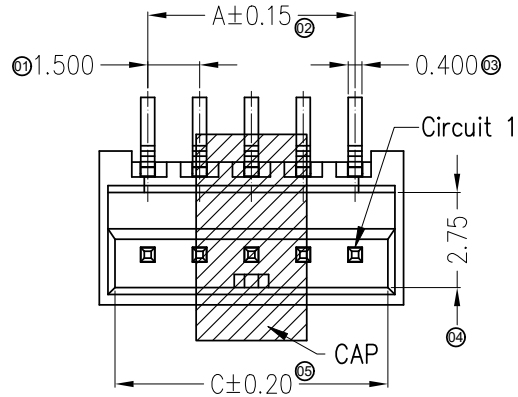


Recommended P.C.B Layout
 General Tolerance±0.05

2022/10/17	K1	/	Update Drawing Frame	Jane	Larry	GENERAL TOLERANCE .X ±0.30 .XX ±0.20 .XXX±0.10 X.' ±2'	东莞市思索技术股份有限公司 Dongguan SESO Technology Co.,Ltd.				PART NO. 1511WRS-XXHF-LPXXXX					
2020/07/07	K	/	Update Drawing Frame	Xue	Robing						TITLE 1.50mm Crimp Style Connectors					
2019/10/31	J	EN20191031001	Modify the Current rating ▲	sylvia	Robing						APPROVAL	CHECK	DRAWN	DATE		
DATE	REV	ECN NO.	DESCRIPTION	MODIFY	APPROVAL						PROJECT	Jack Zhang	Larry Yang	Wuxiaotao	2014/05/30	UNIT
											mm	1:1	1/1	K1	CD	

RoHS

This products can apply to the SESO Doc NO. QA-3-04-005 of Environmental&Material Management Rules



Recommended P.C.B Layout
General Tolerance±0.05

Specifications :

- Voltage rating: 350V AC / DC
- Current rating: AWG#24 2.5A AC / DC
 △ AWG#26 2.0A AC / DC
 AWG#28 1.5A AC / DC
- Withstanding voltage: 500V AC/minute
- Temperature range: -40°C~+105°C
- Insulation resistance: ≥1000MΩ
- Contact resistance: <20mΩ
- After environmental testing: <40mΩ
- Material(Pin):Brass
- Mates With SESO Housing:1511H

1511 W V S-XX HF-LP SW XX
 ① ② ③ ④ ⑤ ⑥ ⑦ ⑧ ⑨

- ① Series No.
- ② Category:W-wafer
- ③ Connector type: V- Straight 180°
- ④ Mounting type: S-SMT
- ⑤ Row No.-Pin No per row: XX-02P~15P
- ⑥ Special No.: HF-Halogen Free
- ⑦ Material:LP -LCP 94V-0
- ⑧ Plating code: SW- Matte Tin Plating
 V01-Plating Gold flash
- ⑨ Color:Blank-Natural Color BK-Black

Poles	Dimensions (mm)			Poles	Dimensions (mm)		
	A	B	C		A	B	C
02	1.50	4.30	3.40	09	12.00	14.80	13.90
03	3.00	5.80	4.90	10	13.50	16.30	15.40
04	4.50	7.30	6.40	11	15.00	17.80	16.90
05	6.00	8.80	7.90	12	16.50	19.30	18.40
06	7.50	10.30	9.40	13	18.00	20.80	19.90
07	9.00	11.80	10.90	14	19.50	22.30	21.40
08	10.50	13.30	12.40	15	21.00	23.80	22.90

2020/07/07	I	/	Update Drawing Frame	Xue	Robing	东莞市思索技术股份有限公司 Dongguan SESO Technology Co.,Ltd.				PART NO. 1511WVS-XXHF-LPXXXX					
2019/10/31	H	EN20191031001	Modify the Current rating	sylvia	Robing					TITLE 1.50mm Crimp Style Connectors					
2017/12/30	G	EN20171230001	New Plating Gold flash specifications	Yu wei	Jacky					APPROVAL	CHECK	DRAWN	DATE	UNIT mm	
DATE	REV	ECN NO.	DESCRIPTION	MODIFY	APPROVAL					PROJECT Jack Zhang	Larry Yang	Wuxiaotao	2014/05/30	SCALE 1:1	SHEET 1/1