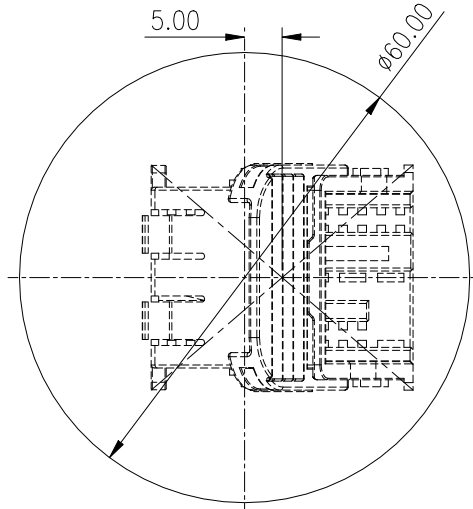
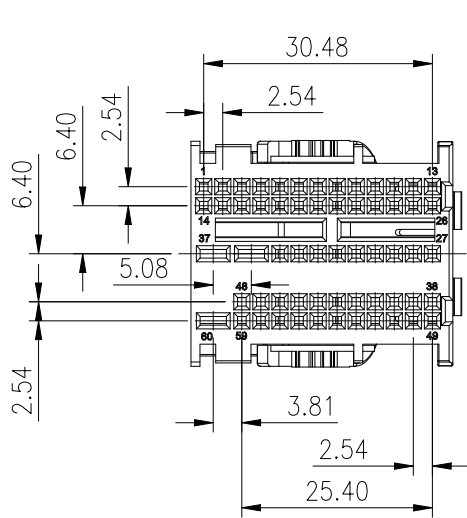
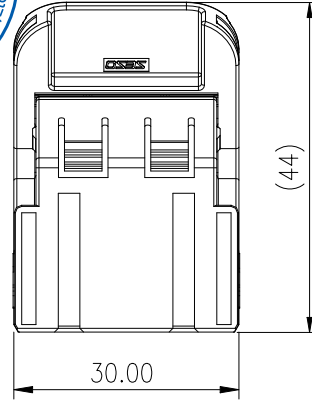
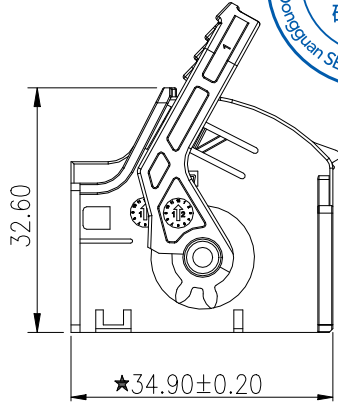
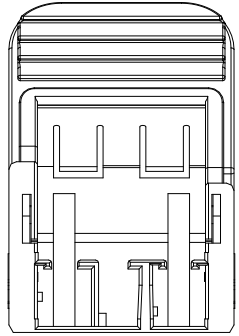


RoHS

This products can apply to the SESO Doc NO. QA-3-04-005 of Environmental&Material Management Rules



Recommended cut-out diameter dimension

Notes:

- Mates With SESO HSG:2551H series
- Symbols for SPC dimensions:"★"
- Packaging Drawing:PK-2551C-PTBK-X
- Meet test specification LV214&USCAR2
- Product Specification:PS-2551-01
- General tolerance according to ISO 20457:

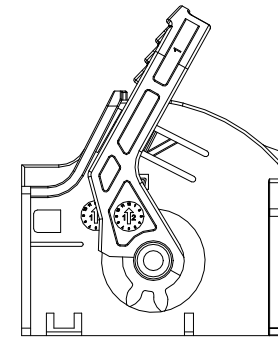
| Tolerance grade | 1 to 3 | >3 to 6 | >6 to 10 | >10 to 18 | >18 to 30 | >30 to 50 |
|-----------------|--------|---------|----------|-----------|-----------|-----------|
| TG5 | ±0.08 | ±0.11 | ±0.14 | ±0.17 | ±0.20 | ±0.23 |

2551 C - PT BK - X
① ② ③ ④ ⑤

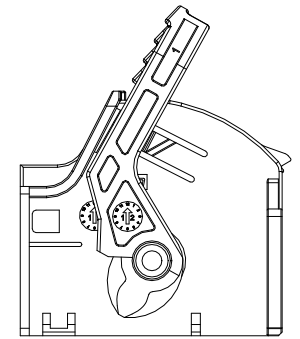
- ① Series No.: 2551
- ② Connector Type: C
- ③ Plastic material: PT-PBT UL94V-0
- ④ Color: BK-Black
- ⑤ Special No.: X-A: A type lever; B: B type lever

A type lever

B type lever



2551C-PTBK-A



2551C-PTBK-B

| | | | | | |
|----------|-----|---------|-----------------|-----------|------------|
| 20231207 | A0 | / | Initial release | Bless Guo | Larry Yang |
| DATE | REV | ECN NO. | DESCRIPTION | MODIFY | APPROVAL |

GENERAL TOLERANCE

- .X ±0.35
- .XX ±0.25
- .XXX±0.15
- X.' ±2'

PROJECT



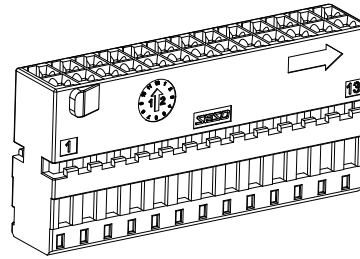
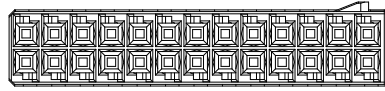
SMS 东莞市思索技术股份有限公司
Dongguan SESO Technology Co.,Ltd.

| | | | |
|------------|------------|-----------|------------|
| APPROVAL | CHECK | DRAWN | DATE |
| Jack Zhang | Larry Yang | Bless Guo | 2022/10/25 |

| | | | | |
|--------------------------|-------|-------|-----|--------|
| PART NO. 2551C-PTBK-X | | | | |
| TITLE Cover 60P ASSY | | | | |
| UNIT | SCALE | SHEET | REV | NUMBER |
| mm | 1:1 | 1/1 | A0 | CD |

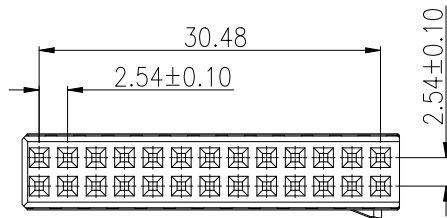
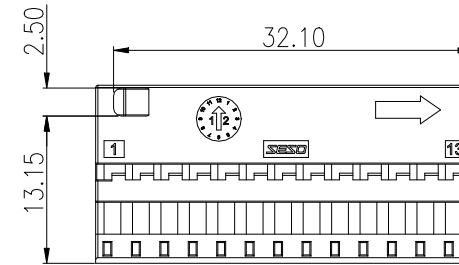
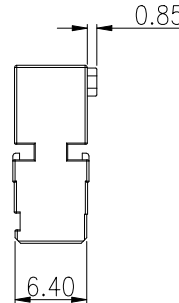
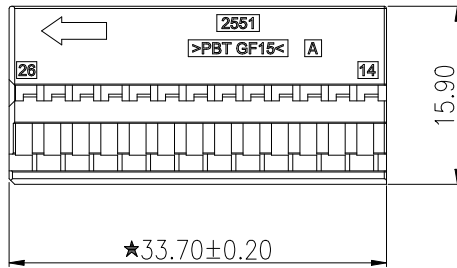
RoHS

This products can apply to the SESO Doc NO. QA-3-04-005 of Environmental&Material Management Rules



2551 H - 2*13 - PT GY
 ① ② ③ ④ ⑤

- ① Series No.: 2551
- ② Connector Type: H-Housing
- ③ Row No.-Pin No: 2*13-Double Rows 2*13Pin
- ④ Plastic material: PT-PBT UL94V-0
- ⑤ Color: GY-Gray



Notes:

- Mates With SESO CAP:2551C-PTBK-X
- Mates With SESO terminals:0631TXF-HY2B
- Symbols for SPC dimensions:"★"
- Packaging Drawing: PK-2551H-2*13-PTBK
- Meet test specification LV214&USCAR2
- Product Specification:PS-2551-01
- General tolerance according to ISO 20457:

| Tolerance grade | 1 to 3 | >3 to 6 | >6 to 10 | >10 to 18 | >18 to 30 | >30 to 50 |
|-----------------|--------|---------|----------|-----------|-----------|-----------|
| TG5 | ±0.08 | ±0.11 | ±0.14 | ±0.17 | ±0.20 | ±0.23 |

| | | | | | |
|----------|-----|---------|-----------------|-----------|------------|
| 20231207 | A0 | / | Initial release | Bless Guo | Larry Yang |
| DATE | REV | ECN NO. | DESCRIPTION | MODIFY | APPROVAL |

| | |
|-------------------|-------|
| GENERAL TOLERANCE | |
| .X | ±0.35 |
| .XX | ±0.25 |
| .XXX | ±0.15 |
| X.' ±2' | |
| PROJECT | |
| | |

SMS 东莞市思索技术股份有限公司
 Dongguan SESO Technology Co.,Ltd.

| | | | |
|------------|------------|-----------|------------|
| APPROVAL | CHECK | DRAWN | DATE |
| Jack Zhang | Larry Yang | Bless Guo | 2022/10/25 |

| | | | | |
|---------------------------------|-------|-------|-----|--------|
| PART NO. 2551H-2*13-PTGY | | | | |
| TITLE MQS socket housing 26P | | | | |
| UNIT | SCALE | SHEET | REV | NUMBER |
| mm | 1:1 | 1/1 | A0 | CD |

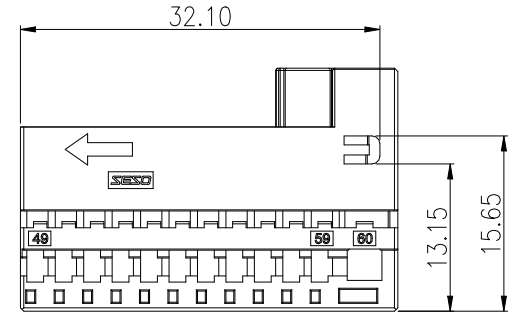
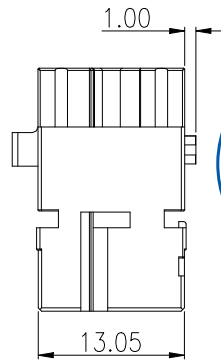
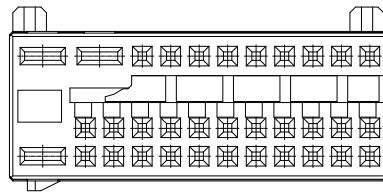
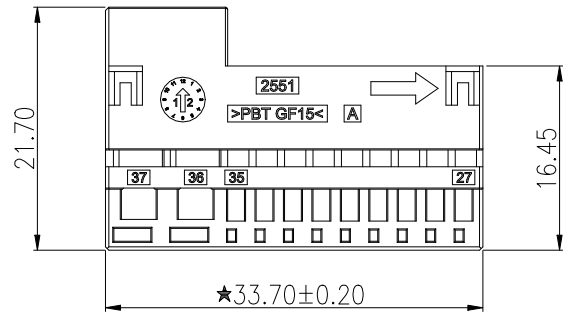
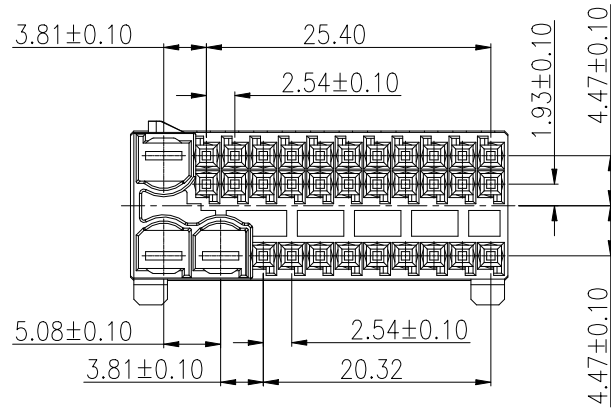
RoHS

This products can apply to the SESO Doc NO. QA-3-04-005 of Environmental&Material Management Rules

Notes:

- Mates With SESO CAP:2551C-PTBK-X
- Mates With SESO terminals:0631TXF-HY2B and 2803TXF-HY2B
- Symbols for SPC dimensions:"★"
- Packaging Drawing: PK-2551H-34-PTBK
- Meet test specification LV214&USCAR2
- Product Specification:PS-2551-01
- General tolerance according to ISO 20457:

| Tolerance grade | 1 to 3 | >3 to 6 | >6 to 10 | >10 to 18 | >18 to 30 | >30 to 50 |
|-----------------|--------|---------|----------|-----------|-----------|-----------|
| TG5 | ±0.08 | ±0.11 | ±0.14 | ±0.17 | ±0.20 | ±0.23 |



2551 H - 34 - PT BK
① ② ③ ④ ⑤

- ① Series No.: 2551
- ② Connector Type: H-Housing
- ③ Row No.-Pin No: 34-Three Rows 34Pin
- ④ Plastic material: PT-PBT UL94V-0
- ⑤ Color: BK-Black

| | | | | | |
|----------|-----|---------|-----------------|-----------|------------|
| 20231207 | A0 | / | Initial release | Bless Guo | Larry Yang |
| DATE | REV | ECN NO. | DESCRIPTION | MODIFY | APPROVAL |

| | |
|-------------------|-------|
| GENERAL TOLERANCE | |
| .X | ±0.35 |
| .XX | ±0.25 |
| .XXX | ±0.15 |
| X.' ±2' | |
| PROJECT | |
| | |

SMS 东莞市思索技术股份有限公司
Dongguan SESO Technology Co.,Ltd.

| | | | |
|------------|------------|-----------|------------|
| APPROVAL | CHECK | DRAWN | DATE |
| Jack Zhang | Larry Yang | Bless Guo | 2022/10/25 |

| | | | | |
|---------------------------------|-------|-------|-----|--------|
| PART NO. 2551H-34-PTBK | | | | |
| TITLE MQS socket housing 34P | | | | |
| UNIT | SCALE | SHEET | REV | NUMBER |
| mm | 1:1 | 1/1 | A0 | CD |