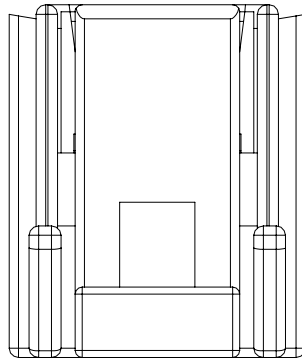
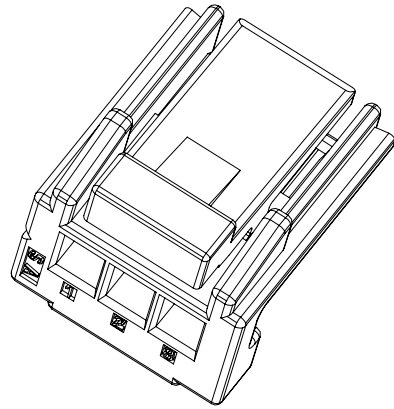


RoHS

This products can apply to the SESO Doc NO. QA-3-04-005 of Environmental&Material Management Rules

RD-1

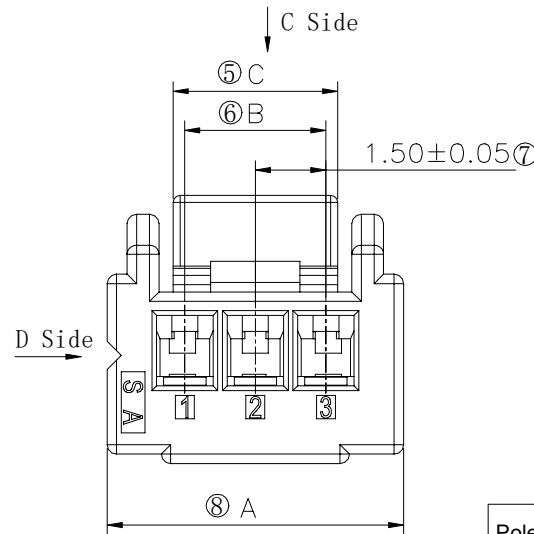
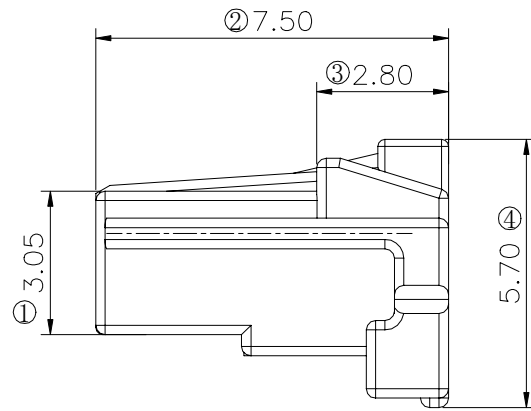


Specifications :

- Voltage rating: 125V AC / DC
- Current rating: 2A AC / DC
- Withstanding voltage: 500V AC/minute
- Temperature range: -40°C~+105°C
- Insulation resistance: ≥1000MΩ
- Contact resistance: <20mΩ
- After environmental testing: <40mΩ
- Material(Pin): Phosphor Bronze(1506T)
- Mates With SESO Wafer: 1506WRS, 1506WVS

1506 H M - 1xXX - PT N B R 01F
 ① ② ③ ④ ⑤ ⑥ ⑦ ⑧ ⑨

- ① Series No.
- ② Category: H-HSG
- ③ Shape: M-male
- ④ Row No.-Pin No: 1xXX-Single Row 1x02~1X16Pin
- ⑤ Plastic material: PT- PBT UL94V-0
- ⑥ Color: N-Natural; B-Black; R-Red; L-Blue
- ⑦ Packing: B-Bag
- ⑧ RoHS/HF Code: H-Halogen-Free R-RoHS Compliant
- ⑨ Sequence Number: 01F



Poles	Dimensions(mm)			Poles	Dimensions(mm)			Poles	Dimensions(mm)		
	A	B	C		A	B	C		A	B	C
02	5.00	1.50	2.70	07	12.30	9.00	7.50	12	19.80	16.50	9.80
03	6.30	3.00	3.50	08	13.80	10.50	9.80	13	21.30	18.00	11.30
04	7.80	4.50	4.50	09	15.30	12.00	9.80	14	22.80	19.50	11.30
05	9.30	6.00	4.50	10	16.80	13.50	9.80	15	24.30	21.00	11.30
06	10.80	7.50	7.50	11	18.30	15.00	9.80	16	25.80	22.50	11.30

DATE	REV	ECN NO.	DESCRIPTION	MODIFY	APPROVAL
2023/8/15	C	/	Update Drawing Frame	Starry lin	Larry Yang
2020/6/15	B	EN20200615001	Update the contrast view for different PIN	Yu Yongping	Harvey Yan

GENERAL TOLERANCE
 .X ±0.35
 .XX ±0.25
 .XXX ±0.15
 X.° ±0.2°

PROJECT

APPROVAL: Jack Zhang
 CHECK: Larry Yang
 DRAWN: Hu Chuang
 DATE: 2019/08/16

PART NO. 1506HM-1xXX-PTNBR01F

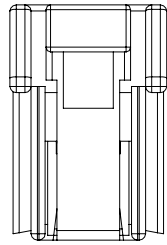
TITLE 1.5 mm Pitch Housing

UNIT	SCALE	SHEET	REV	NUMBER
mm	1:1	1/2	C	A-022

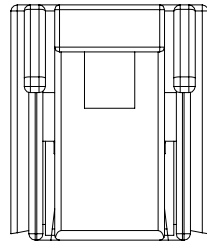
RoHS

This products can apply to the SESO Doc NO. QA-3-04-005 of Environmental&Material Management Rules

RD-1

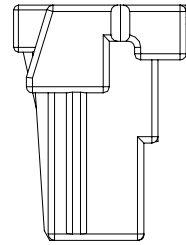


2PIN

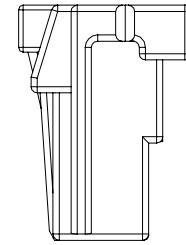


3、4、6PIN

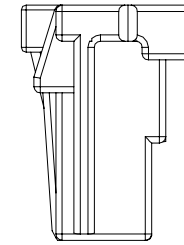
C View



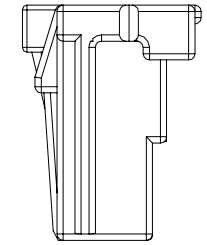
2PIN



3、4PIN

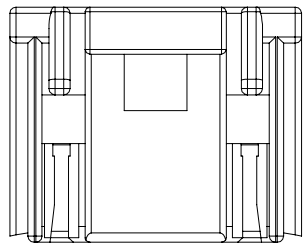


6PIN

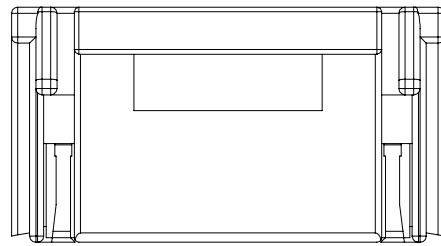


5、7-16PIN

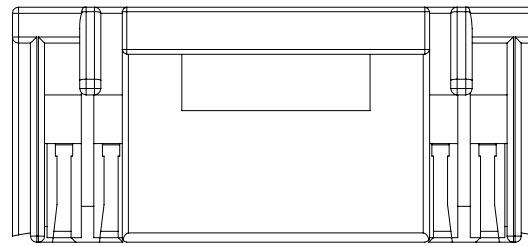
D View



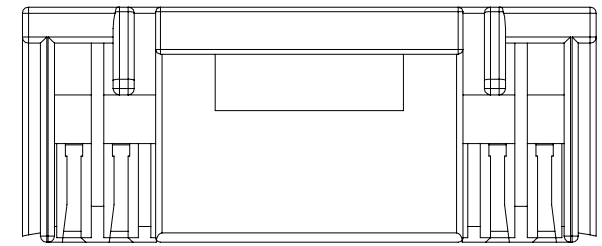
5、7、9PIN




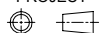
8PIN



10、12、13PIN



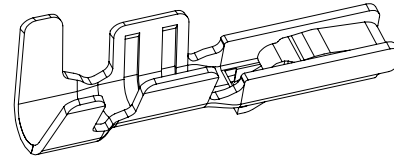
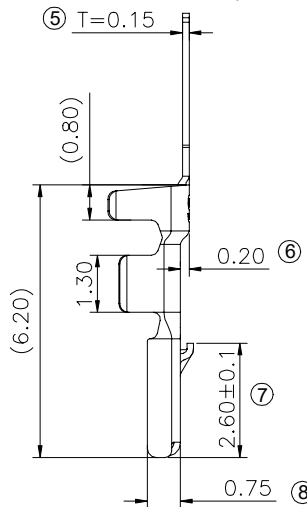
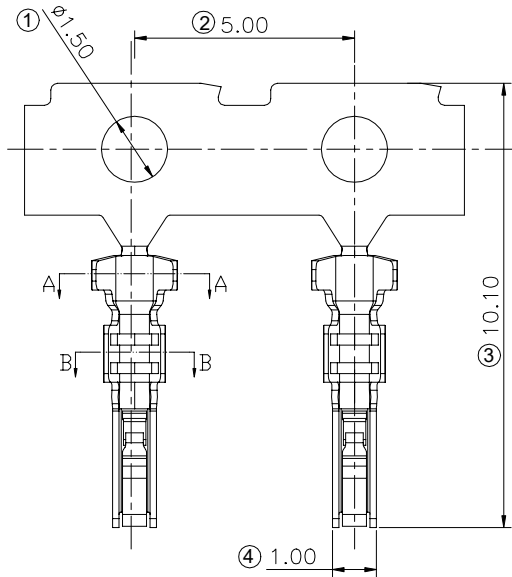
11、14-16PIN

A	2023/8/15	C	/	Update Drawing Frame	Starry lin	Larry Yang	 东莞市思索技术股份有限公司 Dongguan SESO Technology Co.,Ltd.	PART NO. 1506HM-1xXX-PTNBR01F								
	2020/6/15	B	EN20200615001	Update the contrast view for different PIN	Yu Yongping	Harvey Yan		TITLE 1.5 mm Pitch Housing								
	DATE	REV	ECN NO.	DESCRIPTION	MODIFY	APPROVAL		Jack Zhang	Larry Yang	Hu Chuang	2019/08/16	UNIT mm	SCALE 1:1	SHEET 2/2	REV C	NUMBER A-022
	GENERAL TOLERANCE .X ±0.35 .XX ±0.25 .XXX ±0.15 X.° ±0.2° PROJECT 															

RoHS

This products can apply to the SESO Doc NO. QA-3-04-005 of Environmental&Material Management Rules

RD-1



NOTES:

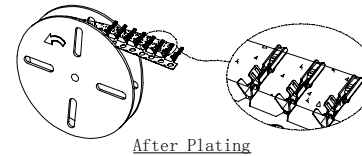
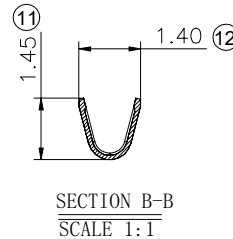
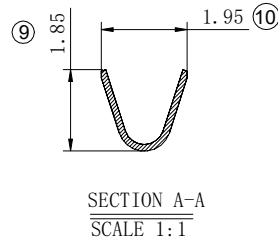
1. MATERIAL: Phosphor Bronze
2. Product Specification:PS-1506-01
3. Packaging:see SESO drawing PK-1506TM

■ Specifications :

- Voltage rating: 125V AC / DC
- Current rating: 2A AC / DC
- Withstanding voltage: 800V AC/minute
- Temperature range: -40°C~+105°C
- Insulation resistance: $\geq 500M\Omega$
- Contact resistance: $\leq 20m\Omega$
- After environmental testing: $\leq 40m\Omega$

1506 T M-P XX S H 01F
① ②③④ ⑤ ⑥ ⑦ ⑧

- ① Series Number
- ② Category: T-terminal
- ③ Shape:M-Male
- ④ Material:P-Phosphor bronze
- ⑤ Plating style:see table
- ⑥ Plating method:S-Stamping before plating
- ⑦ Special NO:H-WIRE SIZE 24~28 AWG
- ⑧ Sequence Number: 01F



1506TM-PXXSH-01F	AWG#24~28 (0.08~0.22mm ²)	Ø 1.2mm Max	Underplate: Ni 50~100u" (1.25~2.5um) overall Top plating: Glod Flash overall	1506HM	1.95	1.40
P/N	Wire	Wire	Finish	Suitable SWB Housing	Dim A	Dim B

2023/08/14	B	/	Update Drawing Frame	Starry lin	Larry Yang
DATE	REV	ECN NO.	DESCRIPTION	MODIFY	APPROVAL

GENERAL TOLERANCE	
.X	±0.35
.XX	±0.25
.XXX	±0.15
X.°	±0.5°
PROJECT	

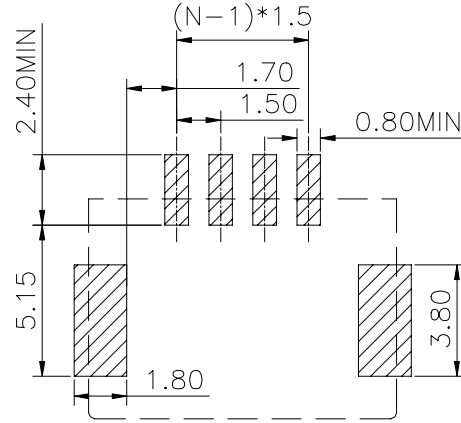
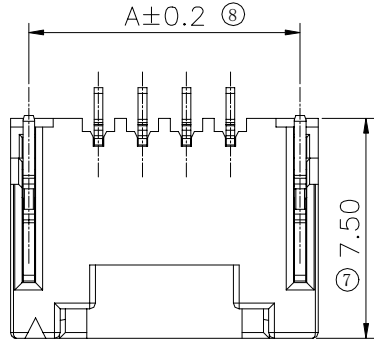
SMS 东莞市思索技术股份有限公司
Dongguan SESO Technology Co.,Ltd.

PART NO. 1506TM-PXXSH-01F				
TITLE 1.5 mm Pitch Crimp Terminal				
UNIT	SCALE	SHEET	REV	NUMBER
mm	1:1	1/1	B	XXXX

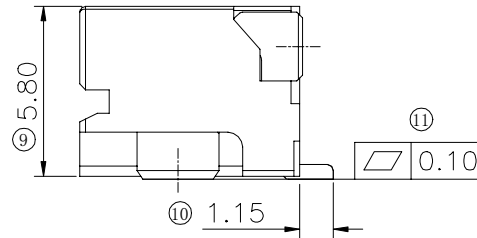
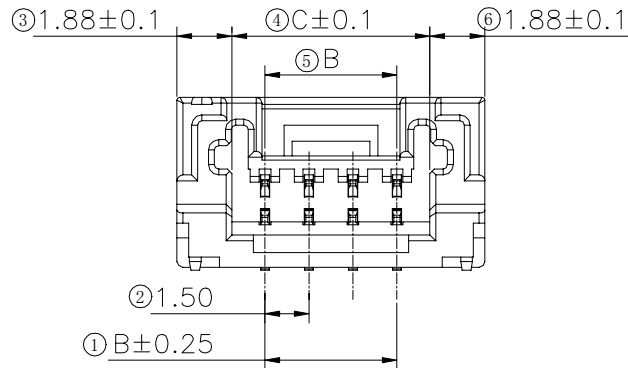
APPROVAL	CHECK	DRAWN	DATE
Jack Zhang	Larry Yang	Hu Chuang	2019/08/16

RoHS

This products can apply to the SESO Doc NO. QA-3-04-005 of Environmental&Material Management Rules



Recommended P.C.B Layout
General Tolerance±0.05



■ Specifications :

- Voltage rating: 125V AC / DC
- Current rating: 2A AC / DC
- Withstanding voltage: 500V AC/minute
- Temperature range: -40°C~+105°C
- Insulation resistance: ≥1000MΩ
- Contact resistance: ≤20mΩ
- After environmental testing: ≤40mΩ
- Material(Pin): Phosphor bronze
- Mates With SWB Housing: 1506HM

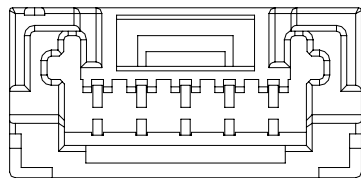
1506 W R S -1xXX- 9T N P XX R R 001 F
① ② ③ ④ ⑤ ⑥ ⑦ ⑧ ⑨ ⑩ ⑪ ⑫ ⑬

- ① Series No.
- ② Category: W-wafer
- ③ Connector Type: R-Right Angle 90°
- ④ Mounting Type: S-SMT
- ⑤ Row No.-Pin No: 1xXX-Single Row 1xXXPin
- ⑥ Plastic material: 9T-PA9T UL94V-0
- ⑦ Color: N-Natural; B-Black; R-Red; L-Blue
- ⑧ Metal material: P-Phosphor bronze
- ⑨ Plating Code: 10-FULL Gold Flash
41-Bright tin plating
Ni50u~100u Sn100~200u"
42-Tin plating
Ni50u~100u Sn100~200u"
- ⑩ Packing: R-Reel and Cap
- ⑪ RoHS/HF Code: R-RoHS
- ⑫ Sequence Number: 001
- ⑬ Special code: F-Other Connectors

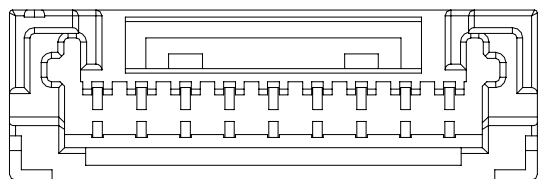
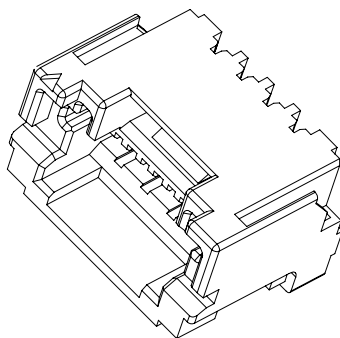
					<p>GENERAL TOLERANCE</p> <p>.X ±0.35</p> <p>.XX ±0.25</p> <p>.XXX±0.15</p> <p>X.' ±2'</p>				<p>SMS 东莞市思索技术股份有限公司 Dongguan SESO Technology Co.,Ltd.</p>				<p>PART NO. 1506WRS-1xXX-9TNPXXRR001F</p>				
					<p>APPROVAL</p> <p>PROJECT</p>				<p>CHECK</p> <p>DATE</p>				<p>TITLE: 1.5mm Pitch Connectors(90°)</p>				
DATE	REV	ECN NO.	DESCRIPTION	MODIFY	APPROVAL	Jack Zhang	Larry Yang	Hu Chuan	2020/02/25	UNIT	SCALE	SHEET	REV	NUMBER			
1	2	3	4	5	6	7	8	9	10	mm	1:1	1/2	A	A-000			

RoHS

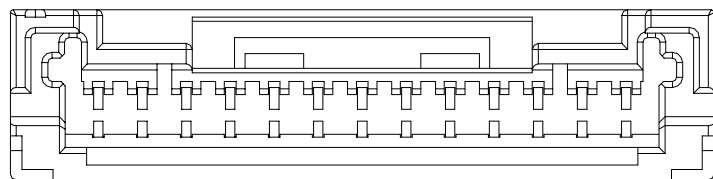
This products can apply to the SESO Doc NO. QA-3-04-005 of Environmental&Material Management Rules



1~5PIN



6~9PIN



10~16 PIN

Poles	Dimensions(mm)		
	A	B	C
02	6.25	1.50	3.75
03	7.75	3.00	5.25
04	9.25	4.50	6.75
05	10.75	6.00	8.25
06	12.25	7.50	9.75
07	13.75	9.00	11.25
08	15.25	10.50	12.75
09	16.75	12.00	14.25
10	18.25	13.50	15.75
11	19.75	15.00	17.25
12	21.25	16.50	18.75
13	22.75	18.00	20.25
14	24.25	19.50	21.75
15	25.75	21.00	23.25
16	27.25	22.50	24.75

DATE	REV	ECN NO.	DESCRIPTION	MODIFY	APPROVAL

GENERAL TOLERANCE

- .X ±0.35
- .XX ±0.25
- .XXX±0.15
- X.' ±2'

PROJECT



SMS 东莞市思索技术股份有限公司
Dongguan SESO Technology Co.,Ltd.

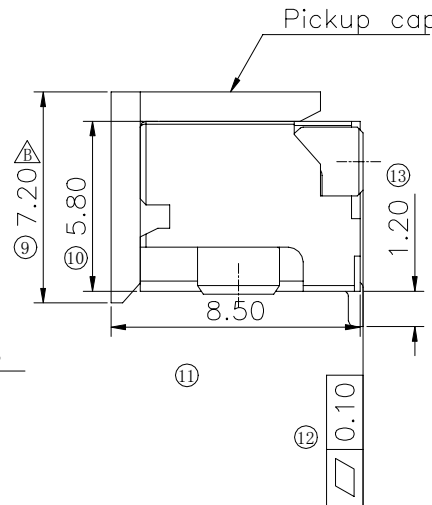
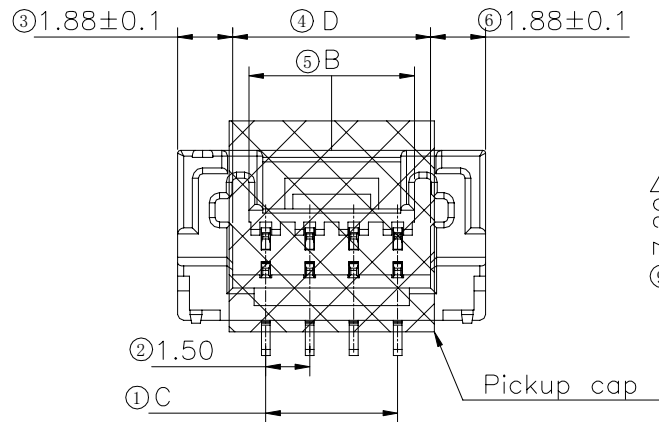
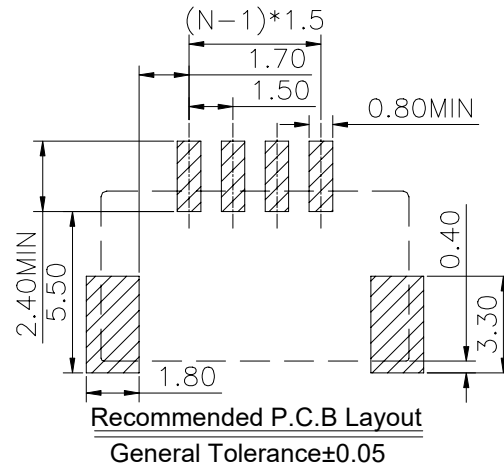
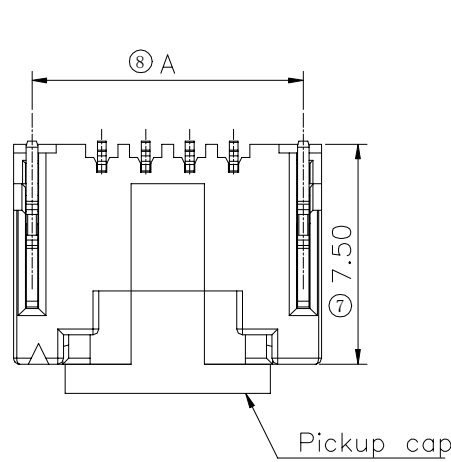
APPROVAL	CHECK	DRAWN	DATE
Jack Zhang	Larry Yang	Hu Chuan	2020/02/25

PART NO. 1506WRS-1xXX-9TNPXXRR001F				
TITLE: 1.5mm Pitch Connectors(90°)				
UNIT	SCALE	SHEET	REV	NUMBER
mm	1:1	2/2	A	A-000

RoHS

This products can apply to the SESO Doc NO. QA-3-04-005 of Environmental&Material Management Rules

RD-1



Specifications :

- Voltage rating: 125V AC / DC
- Current rating: 2A AC / DC
- Withstanding voltage: 800V AC/minute
- Temperature range: -40°C~+105°C
- Insulation resistance: ≥500MΩ
- Contact resistance: ≤20mΩ
- After environmental testing: ≤40mΩ
- Material(Pin): Phosphor bronze
- Mates With SWB Housing: 1506HM

1506 W V S -1xXX- 9T N P XX C R 001 F
 ① ② ③ ④ ⑤ ⑥ ⑦ ⑧ ⑨ ⑩ ⑪ ⑫ ⑬

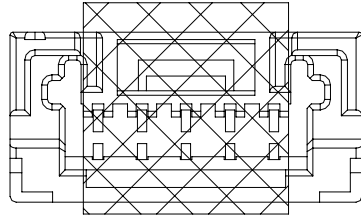
- ① Series No.
- ② Category: W-wafer
- ③ Connector Type: V-Straight 180°
- ④ Mounting Type: S-SMT
- ⑤ Row No.-Pin No: 1xXX-Single Row 1xXXPin
- ⑥ Plastic material:9T-PA9T UL94V-0
- ⑦ Color: N-Natural; B-Black; R-Red; L-Blue
- ⑧ Metal material: P-Phosphor bronze
- ⑨ Plating Code: 10-FULL Gold Flash
 41-Bright tin plating
 Ni50u~100u Sn100~200u”
 42-Matte tin plating
 Ni50u~100u Sn100~200u”
- ⑩ Packing: C-Reel With CAP
- ⑪ RoHS/HF Code:R-RoHS
- ⑫ Sequence Number:001
- ⑬ Special code:F-Other Connectors

2023.08.15	C	/	Update Drawing Frame	Starry lin	Larry Yang	GENERAL TOLERANCE .X ±0.35 .XX ±0.25 .XXX ±0.15 X.° ±2°	SMS 东莞市思索技术股份有限公司 Dongguan SESO Technology Co.,Ltd.	PART NO. 1506WVS-1xXX-9TNPXXCR001F								
2020.10.21	B	EN120201022001	Change cap dimension ⑨	Wang	Harvey Yan			TITLE 1.5mm Pitch Connectors(180°)								
2020.02.25	A	/	Initial release	/	Harvey Yan			APPROVAL	CHECK	DRAWN	DATE	UNIT	SCALE	SHEET	REV	NUMBER
DATE	REV	ECN NO.	DESCRIPTION	MODIFY	APPROVAL			PROJECT	Jack Zhang	Larry Yang	Hu Chuan	2020/02/25	mm	1:1	1/2	C

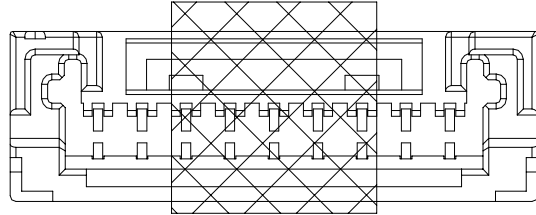
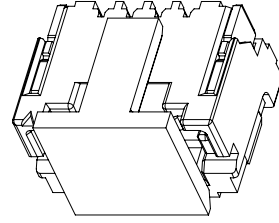
RoHS

This products can apply to the SESO Doc NO. QA-3-04-005 of Environmental&Material Management Rules

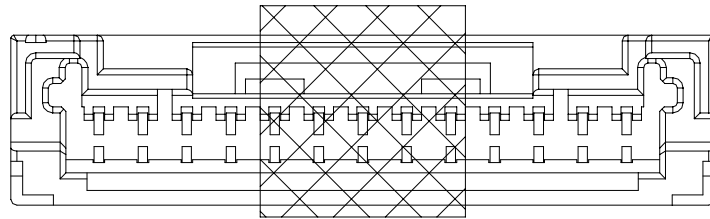
RD-1



1~5PIN



6~9PIN



10~16 PIN

Poles	Dimensions (mm)			
	A±0.2	B±0.2	C±0.2	D±0.2
02	6.25	2.65	1.50	3.75
03	7.75	4.15	3.00	5.25
04	9.25	5.65	4.50	6.75
05	10.75	7.15	6.00	8.25
06	12.25	8.65	7.50	9.75
07	13.75	10.15	9.00	11.25
08	15.25	11.65	10.50	12.75
09	16.75	13.15	12.00	14.25
10	18.25	14.65	13.50	15.75
11	19.75	16.15	15.00	17.25
12	21.25	17.65	16.50	18.75
13	22.75	19.15	18.00	20.25
14	24.25	20.65	19.50	21.75
15	25.75	22.15	21.00	23.25
16	27.25	23.65	22.50	24.75

2023. 8. 15	C	/	Update Drawing Frame	Starry lin	Larry Yang	GENERAL TOLERANCE .X ±0.35 .XX ±0.25 .XXX ±0.15 X.° ±2° PROJECT 	SMS 东莞市思索技术股份有限公司 Dongguan SESO Technology Co.,Ltd.				PART NO. 1506WVS-1xXX-9TNPXXCR001F				
2020. 10. 21	B	EN120201022001	Change cap dimension ⑨	Wang	Harvey Yan						APPROVAL CHECK DRAWN DATE				TITLE 1.5mm Pitch Connectors(180°)
2020. 02. 25	A	/	Initial release	/	Harvey Yan		Jack Zhang	Larry Yang	Hu Chuan	2020/02/25	UNIT	SCALE	SHEET	REV	NUMBER
DATE	REV	ECN NO.	DESCRIPTION	MODIFY	APPROVAL						mm	1:1	2/2	C	A-082