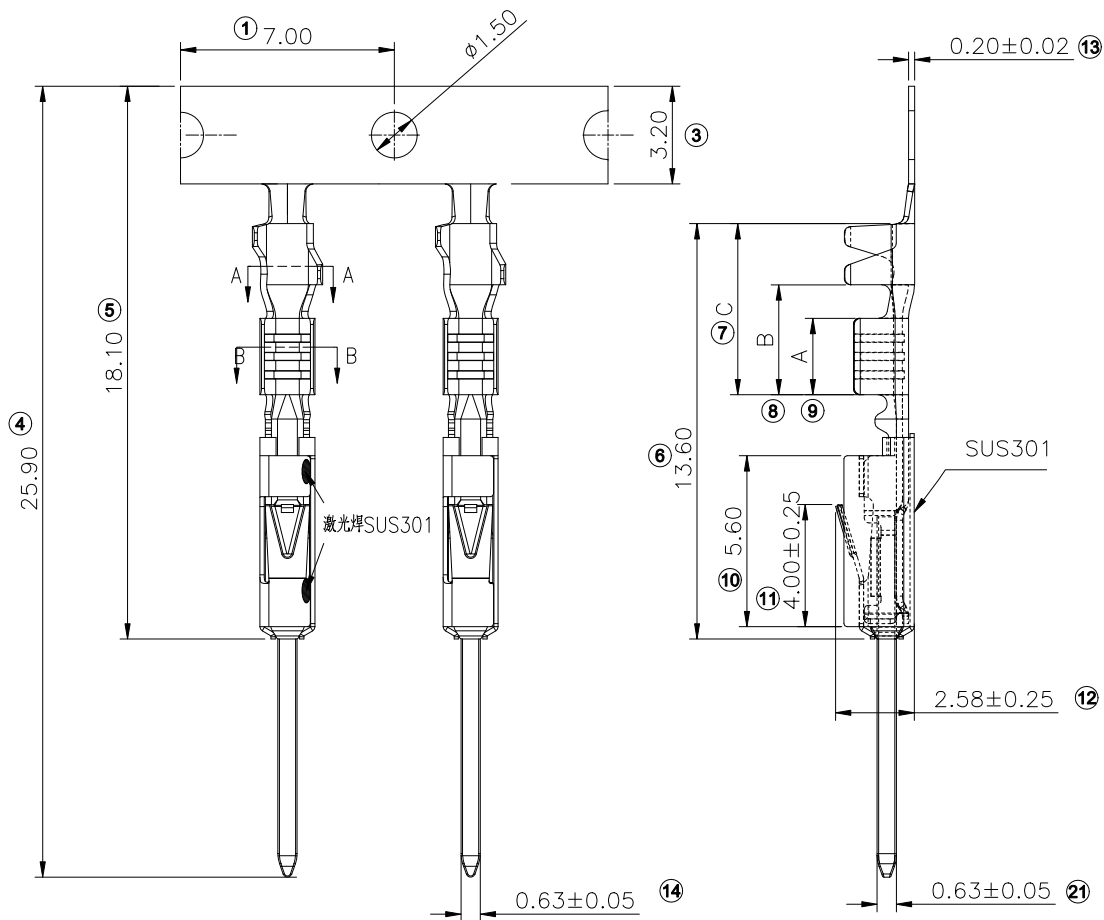


RoHS

This products can apply to the SESO Doc NO. QA-3-04-005 of Environmental&Material Management Rules



Specifications :

- Current rating: 8A Max.AC / DC
- Temperature range: -40°C~+105°C
- Contact resistance: <math>\leq 20m\Omega</math> (Initial)  
<math>\leq 40m\Omega</math> (After Testing)
- Mates With SESO Housing: 2541HM
- Mates With SESO Terminal: 2541T
- Product Specification: PS-2541-01
- Packaging Drawing: 2541 TXM-HXXX
- Symbols for SPC dimensions: "★"

2541 T X M-H XX X  
① ② ③ ④ ⑤ ⑥ ⑦

- ① Series No.
- ② Category:T-terminal
- ③ Shape: Blank-Common Feet ;  
H-High Feet ; L-Low Feet
- ④ Connector Type: M-Male terminal
- ⑤ Connector Type: H-High Conductivity Copper(C7025)
- ⑥ Plating code: Y2-40~120u"(1.0~3.0um)Ni,  
40~120u"(1.0~3.0um)Tin
- ⑦ Plating Process:  
B-Stamping After Plating

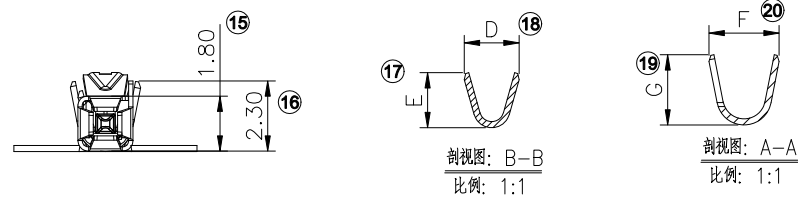


Table 1

2541THM-HXXX	AWG#18~20 (0.75~0.5mm <sup>2</sup> )	1.60~1.90mm	2.80	3.80	5.60	2.00	2.20	2.70	2.90
2541TM-HXXX	AWG#22~24 (0.35~0.22mm <sup>2</sup> )	1.20~1.45mm	2.50	3.60	5.60	1.80	1.80	2.30	2.30
2541TLM-HXXX	AWG#24~26 (0.13~0.22mm <sup>2</sup> )	1.2 Max	2.50	3.70	5.40	1.50	1.50	2.00	1.90
料号	线径	绝缘.O.D.	DIM A	DIM B	DIM C	DIM D	DIM E	DIM F	DIM G

20211215	A0	/	Initial release	John Yang	Larry Yang
DATE	REV	ECN NO.	DESCRIPTION	MODIFY	APPROVAL

GENERAL TOLERANCE  
.X ±0.35  
.XX ±0.25  
.XXX±0.15  
X.' ±2'

PROJECT

**SMS 东莞市思索技术股份有限公司**  
Dongguan SESO Technology Co.,Ltd.

APPROVAL: Jack Zhang  
CHECK: Larry Yang  
DRAWN: Milo Huang  
DATE: 2021/12/15

PART NO.  
2541 TXM-HXXX

TITLE:  
2.54mm Terminal

UNIT	SCALE	SHEET	REV	NUMBER
mm	1:1	1/1	A0	A-XXX