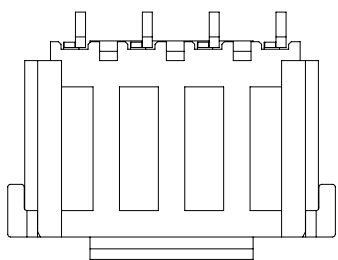
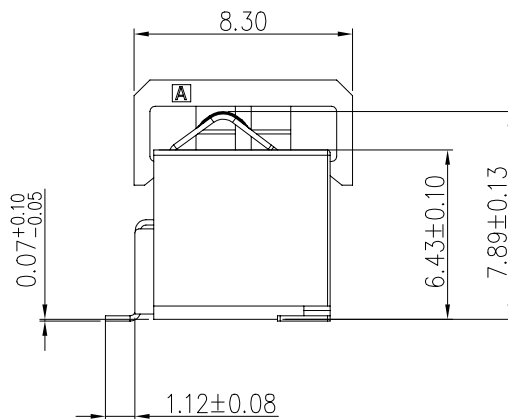
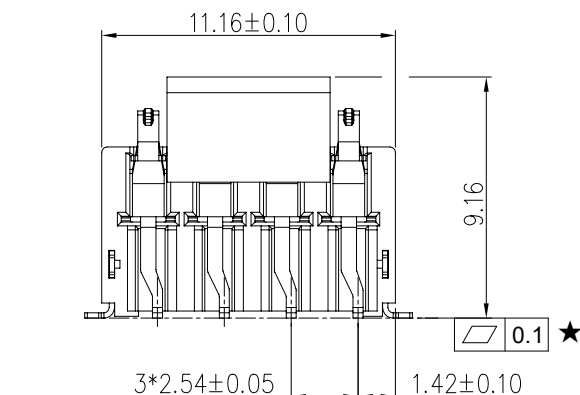
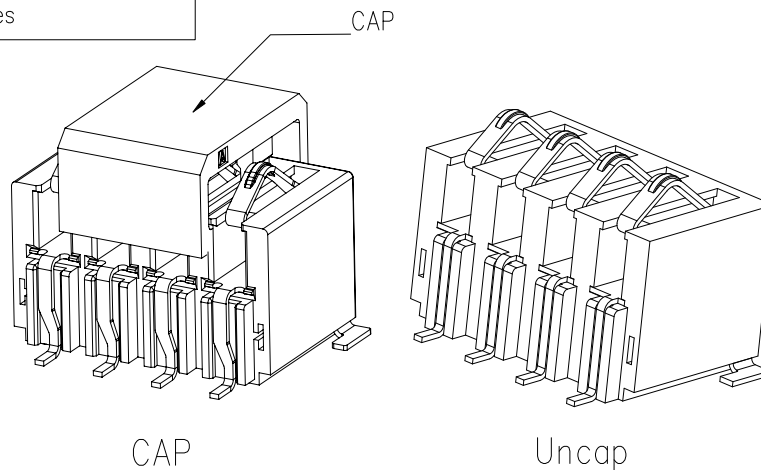
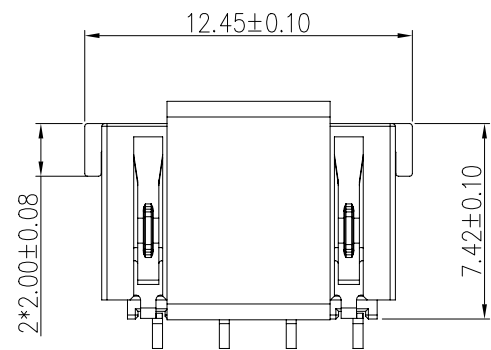


RoHS

This products can apply to the SESO Doc NO. QA-3-04-005 of Environmental&Material Management Rules



■ Specifications:

- Voltage Rating: 5V AC/DC
- Current Rating: 2.6A AC/DC
- Withstanding Voltage: 800V AC/Minute
- Temperature Range: -40°C~+105°C
- Contact Resistance: ≤15mΩ

2573 W RS - 04 X - LP SR2 B X
 ① ② ③ ④ ⑤ ⑥ ⑦ ⑧ ⑨

- ① Series No.: 2573
- ② Category: W-Wafer
- ③ Connector Type: RS-SMT 90°
- ④ Row No.-Pin No.: XX-04P
- ⑤ Special No.:
- ⑥ Plastic Material: LP-LCP 94V-0
- ⑦ Planting Code: SR2-
 Underplate: Ni 20~80u"(0.5~2um) overall
 contact area Gold flash
 Other area Tin Plating: 32~100u"
 (0.80~2.5um)
- ⑧ Color: B-Black
- ⑨ Packing: C-Reel and With CAP
 R-Uncapped roll packaging

					GENERAL TOLERANCE				PART NO.							
					.X ±0.35				2573WRS-04-LPSR2BX							
					.XX ±0.25				TITLE: 2.54mm Pitch WAFER							
					.XXX±0.15				ASSY Right Angle 90° SMT							
					X.' ±2'				APPROVAL		CHECK	DRAWN	DATE			
20240226	A1	EN20240226006	Add an unmarked roll loading material number	Flynt Chen	Larry Yang	PROJECT		Jack Zhang	Larry Yang	Flynt Chen	2023/06/06	UNIT	SCALE	SHEET	REV	NUMBER
DATE	REV	ECN NO.	DESCRIPTION	MODIFY	APPROVAL	PROJECT						mm	1:1	1/1	A1	A-000