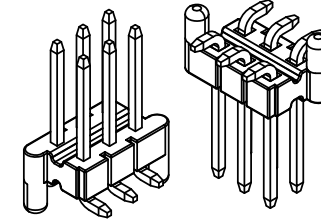


RoHS

This products can apply to the SESO Doc NO. QA-3-04-005 of Environmental&Material Management Rules



3D DRAWING
SCALE 1:2

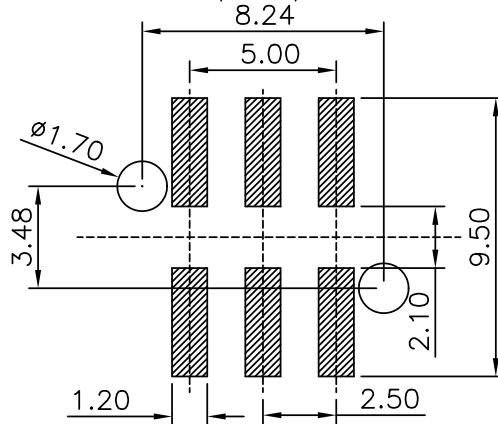
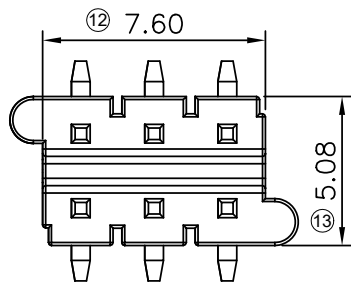
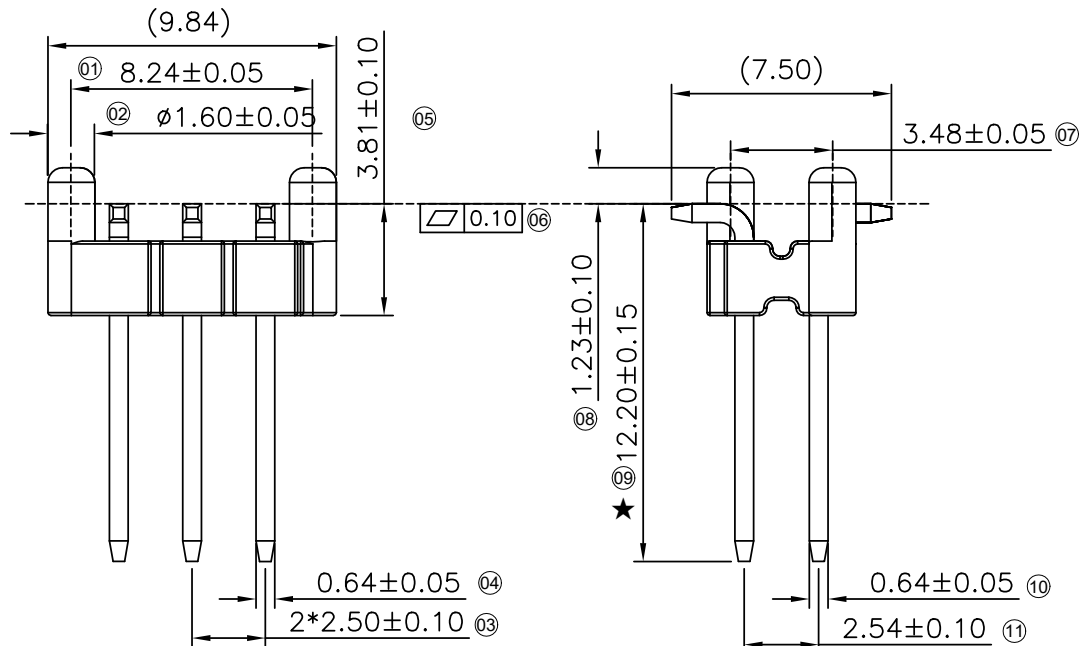
■ Specifications :

- Voltage rating: 250V AC / DC
- Current rating: 3A AC / DC
- Withstanding voltage: 1000V AC/minute
- Temperature range: -40°C~+105°C
- Insulation resistance: ≥1000MΩ
- Contact resistance: ≤20mΩ
- After environmental testing: ≤40mΩ
- Symbols for SPC dimensions: "★"
- Product Specification: PS-2531-11
- Packaging: See SWB drawing PK-2531-01
- Contact Plating: Sn(160-240U") Over Ni(30-80U")
- Insulator Material: PA9T
- Contact Material: Phosphor bronze(Qsn6.5-0.1)

2531 W V S-2*03 -9T SW1 N R

① ② ③ ④ ⑤ ⑥ ⑦ ⑧ ⑨

- ① Series No.: 2531
- ② Category: W-Wafer
- ③ Connector Type: V-Straight 180°
- ④ Mounting Type: S-SMT
- ⑤ Row No.-Pin No: 2*03- Double Row 03Pin
- ⑥ Plastic material: 9T-PA9T UL94 V-0;
- ⑦ Plating Code:
SW1-Fog Tin: 160~240u"(4~6um)
Ni:30~80u"(0.75~2um)
- ⑧ Colour: N-Natural
- ⑨ Packing: R-REEL



RECOMMENDED P.C.B LAYOUT
(TOLERANCE:±0.05)

					GENERAL TOLERANCE				PART NO.									
					.X ±0.35				2531WVS-2*03-9TSW1NR									
					.XX ±0.25				TITLE									
					.XXX±0.15				BOOT LID AND KV PCBA									
					X.' ±2'				APPROVAL		CHECK		DRAWN		DATE			
20220801	A0	/	Initial release	ZEE.WANG	ALAN.ZOU	Jason Huang		Alan.Zou		Zee.Wang		2022/08/01		UNIT	SCALE	SHEET	REV	NUMBER
DATE	REV	ECN NO.	DESCRIPTION	MODIFY	APPROVAL	PROJECT		PROJECT		PROJECT		PROJECT		mm	4:1	1/1	A0	A-XXX

SMS 东莞市思索技术股份有限公司
Dongguan SESO Technology Co.,Ltd.