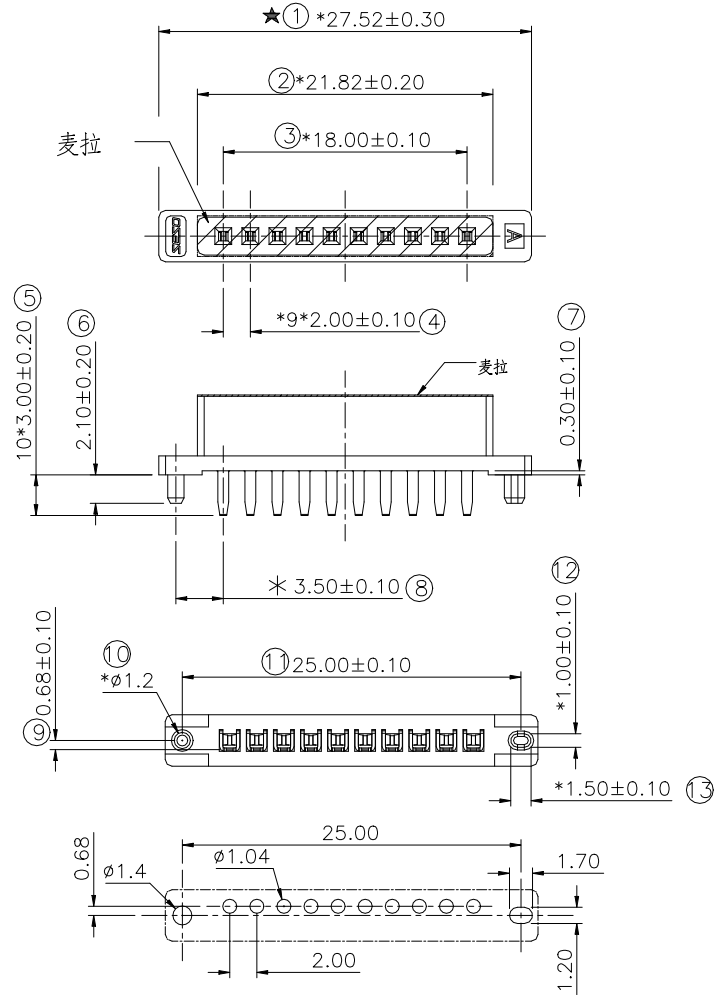
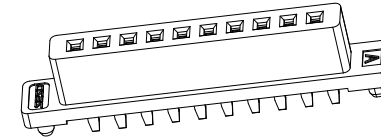
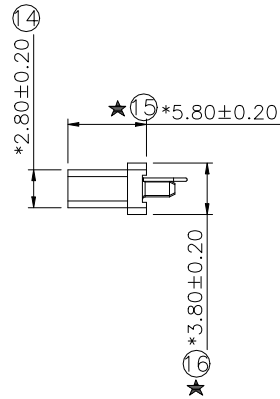


RoHS

This products can apply to the SESO Doc NO. QA-3-04-005 of Environmental&Material Management Rules



Recommended P.C.B  
Layout(T=1.6mm)  
(TOLERANCE:±0.05)



Specifications :

- Voltage rating: 12V Max. AC/DC
- Current rating: 0.5A Max. AC/DC
- Withstanding voltage: 1000V AC/minute
- Temperature range: -40°C~+85°C
- Insulation resistance: >1000MΩ
- Contact resistance: <10mΩ
- After environmental testing: <25mΩ
- Material(Pin):Phosphor bronze;
- Mates With SESO Housing:2059.
- Symbols for SPC dimensions: "★"
- Product Specification: PS-2059-01

2059 F V -10 P -9T V1 B R 01 Q  
① ② ③ ④ ⑤ ⑥ ⑦ ⑧ ⑨ ⑩ ⑪

- ① Series No.:2059
- ② Category:F-Row Female
- ③ Connector Type:V= Straight 180°
- ④ Row No.-Pin No.:10-Single Row-10Pin
- ⑤ Special No.: P-with post
- ⑥ Plastic Material:9T-PA9T (UL94V-0)
- ⑦ Planting Code:V1-Matte Tin  
Underplate:Ni 40~80u"(1.05~2.0um) overall  
Contact plating:Au 1.5u"Min(1.5um) Min  
Gold plated throughout the region:Au G/F
- ⑧ Color:B-Black
- ⑨ Packing:R=Roll
- ⑩ Pipelining code:01-5.8/3.0MM
- ⑪ Types of cars:Q-Automobile category



2023/03/01	x0	/	Initial release	Yuan Zhou	Larry Yang
DATE	REV	ECN NO.	DESCRIPTION	MODIFY	APPROVAL

GENERAL TOLERANCE	.X ±0.35
	.XX ±0.25
	.XXX±0.15
	X.* ±2*
PROJECT	① ②

东莞市思索技术股份有限公司 Dongguan SESO Technology Co.,Ltd.			
APPROVAL	CHECK	DRAWN	DATE
Jack Zhang	Larry Yang	Yuan Zhou	2023/03/01

PART NO. 2059FV-10P-9TV1BR-01Q				
TITLE 2.00 BTB CONN				
UNIT	SCALE	SHEET	REV	NUMBER
mm	1:1	1/1	X0	CD