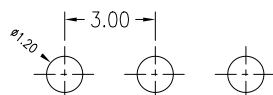
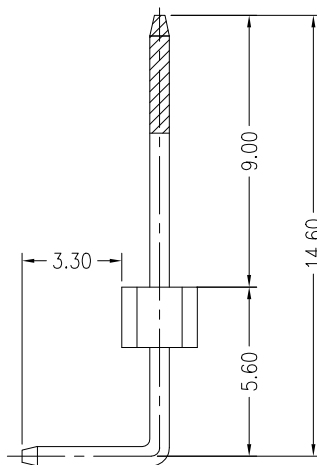
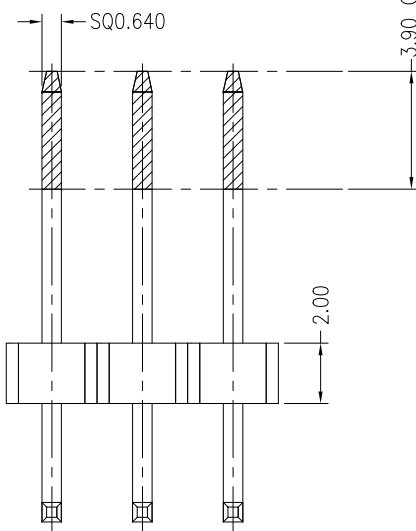
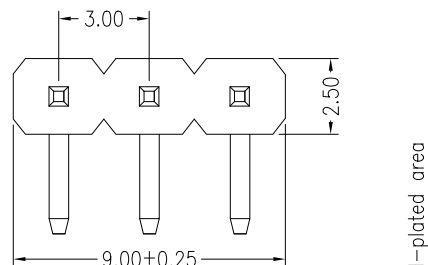


RoHS

This products can apply to the SESO Doc NO. QA-3-04-005 of Environmental&Material Management Rules



Recommended P.C.B Layout
General Tolerance±0.05

Specifications:

- Voltage rating: 150V AC / DC
- Current rating: 3A AC / DC
- Withstanding voltage: 1000V AC/minute
- Temperature range: -40°C~+105°C
- Insulation resistance: ≥1000MΩ
- Contact resistance: ≤10mΩ
- After environmental testing: ≤20mΩ
- Material(Pin): Brass
- Mates With SESO Female Header: 3002FX

3002 W R - 03 - XX GW16 B R -01
 ① ② ③ ④ ⑤ ⑥ ⑦ ⑧ ⑨

- ① Series No.
- ② Category: W-wafer
- ③ Connector Type: R-Straight 90°
- ④ Row No.-Pin No.: 03-03P
- ⑤ Material: 9T-PA9T 94V-0;6T-PA6T 94V-0
- ⑥ Planting Code:
 GW16-Semi gold Bright Tin Plating 16U
 Ni:1~1.3um(40~60u")Min
 Contact Area Au:0.4um(16u") Min
 Other Area Sn:0.8~4um(30~160u")Min
- ⑦ Color: B-Black color
- ⑧ Packing:B-Reel
- ⑨ Sequence Number:01-9.0/5.6/3.3

						GENERAL TOLERANCE				PART NO.					
						.X ±0.30				3002WR-03-XXGW16BR-01					
						.XX ±0.20				TITLE					
						.XXX±0.10				3.00 mm Pin Header connectors					
20210416 A0 / Initial release / Larry Yang						X.' ±2'				APPROVAL CHECK DRAWN DATE					
DATE	REV	ECN NO.	DESCRIPTION	MODIFY	APPROVAL	PROJECT	Jack Zhang	Larry Yang	Xuexiaolong	2021/04/16	UNIT	SCALE	SHEET	REV	NUMBER
1	2	3	4	5	6	7	8	9	10	11	mm	1:1	1/1	A0	CD

