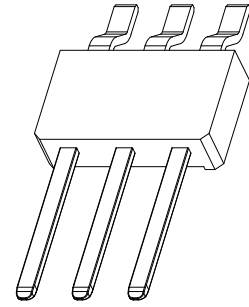
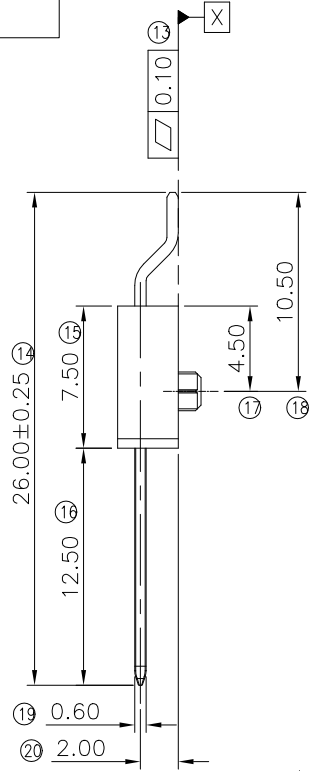
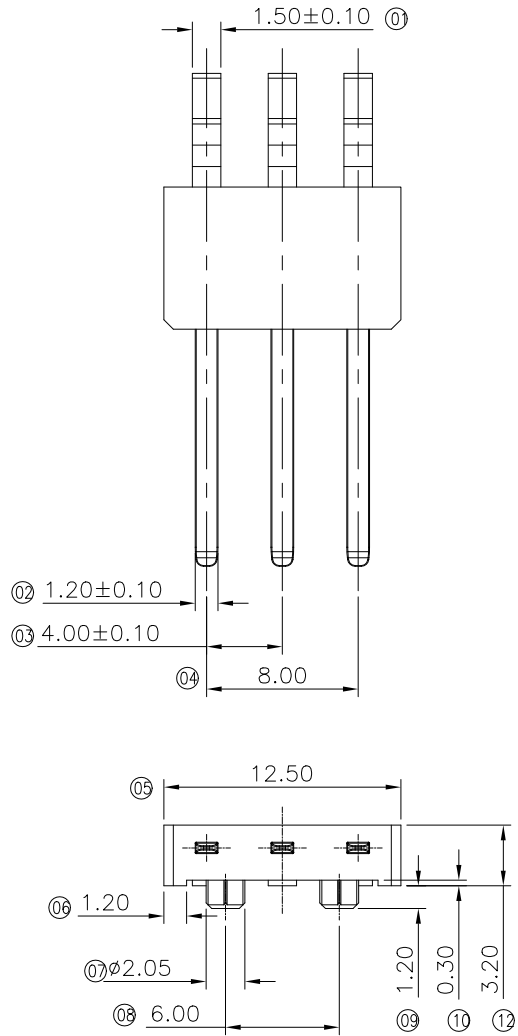


RoHS

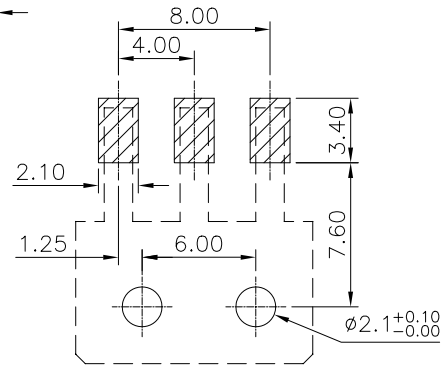
This products can apply to the SESO Doc NO. QA-3-04-005 of Environmental&Material Management Rules



- Specifications :
  - Current rating: 3A AC/DC
  - Withstanding voltage: 500V AC/minute
  - Temperature range: -40°C~+105°C
  - Insulation resistance: >1000MΩ
  - Contact resistance: <20mΩ
  - After environmental testing: <30mΩ
  - Material(Pin): Phosphor Bronze

4020 W R S-03 P HF-9T SW B R-Q  
 ① ② ③ ④ ⑤ ⑥ ⑦ ⑧ ⑨ ⑩ ⑪ ⑫

- ① Series No.:
- ② Category: W-Wafer
- ③ Connector Type: R-Right Angle 90°
- ④ Mounting Type: S-SMT
- ⑤ Row No.-Pin No.: 03-03Pin
- ⑥ Special NO.: P-With Post
- ⑦ HF-Halogen free
- ⑧ Plastic Material: 9T-PA9T UL94V-0
- ⑨ Plating Code: SW-Matte Tin plating
- ⑩ Color: B-Black
- ⑪ Packing: R-Reel
- ⑫ Special code:Q-Automotive Connectors



Recommended P.C.B Layout  
 General Tolerance±0.05

20230610	X2	/	Update Drawing	Jane	Larry Yang
20230420	X1	/	Update Drawing	Jane	Larry Yang
20230317	X0	/	Initial release	Susan Liu	Larry Yang
DATE	REV	ECN NO.	DESCRIPTION	MODIFY	APPROVAL

GENERAL TOLERANCE	
.X	±0.30
.XX	±0.20
.XXX	±0.10
X.' ±2'	
PROJECT	

**SMS** 东莞市思索技术股份有限公司  
 Dongguan SESO Technology Co.,Ltd.

APPROVAL	CHECK	DRAWN	DATE
Larry Yang	Wangcheng	Jane	2023/3/17

PART NO. 4020WRS-03PHF-9TSWBR-Q				
TITLE: 4.00mm Crimp Style Connectors				
UNIT	SCALE	SHEET	REV	NUMBER
mm	1:1	1/1	X2	CD