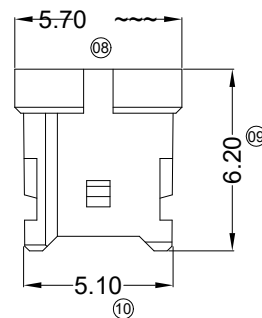
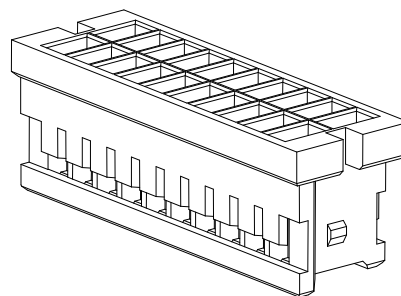
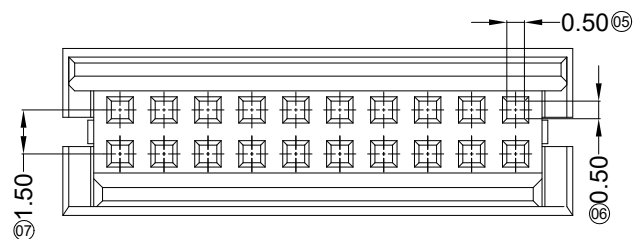
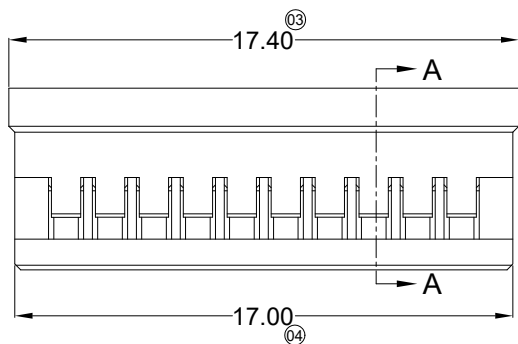
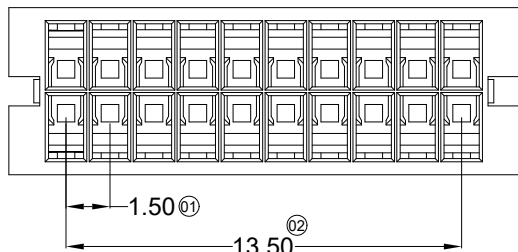


RoHS

This products can apply to the SESO Doc NO. QA-3-04-005 of Environmental&Material Management Rules



### Specifications :

- Voltage rating: 350V AC / DC
- Current rating: 4A AC / DC
- Withstanding voltage: 500V AC/minute
- Temperature range: -40°C~+105°C
- Insulation resistance: ≥1000MΩ
- Contact resistance: ≤20mΩ
- After environmental testing: ≤40mΩ
- Suitable SWB Terminal: 1511T
- Mates With SESO Wafer: 1511W

1511 H X-2\*10 X-PT XX

① ② ③ ④ ⑤ ⑥ ⑦

- ① Series No.
- ② Category: H-HSG
- ③ Welding Board Angle: Blank-ordinary
- ④ Row No.-Pin No.: 2\*10-20P
- ⑤ Plug the Pin & special No.:
- △⑥ Material: PT-PBT 94V-0
- ⑦ Color: Blank-White Color

2020/07/07	E	/	Update Drawing Frame	Wzbin	Robing	<b>GENERAL TOLERANCE</b> .X ±0.30 .XX ±0.20 .XXX±0.10 X.' ±2' PROJECT 	<b>东莞市思索技术股份有限公司</b> Dongguan SESO Technology Co.,Ltd.				PART NO. 1511H-2*10-PT				
2018/05/08	D	EN20180508002	Change the plastic material from PA66 to PBT	Joshua	smark						APPROVAL CHECK DRAWN DATE				TITLE 1.50mm Crimp Style Connectors
2017/09/01	C	/	Modify fool-proof	Joshua	smark		APPROVAL CHECK DRAWN DATE				UNIT	SCALE	SHEET	REV	NUMBER
DATE	REV	ECN NO.	DESCRIPTION	MODIFY	APPROVAL		Jack Zhang	Larry Yang	Yu wei	2017/06/12	mm	1:1	1/1	E	CD

RoHS

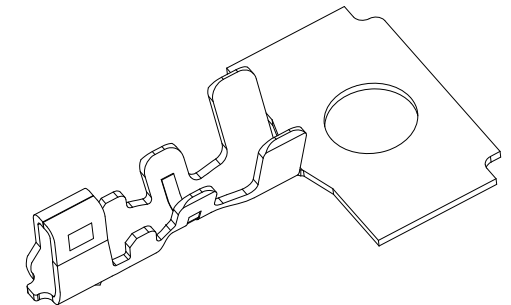
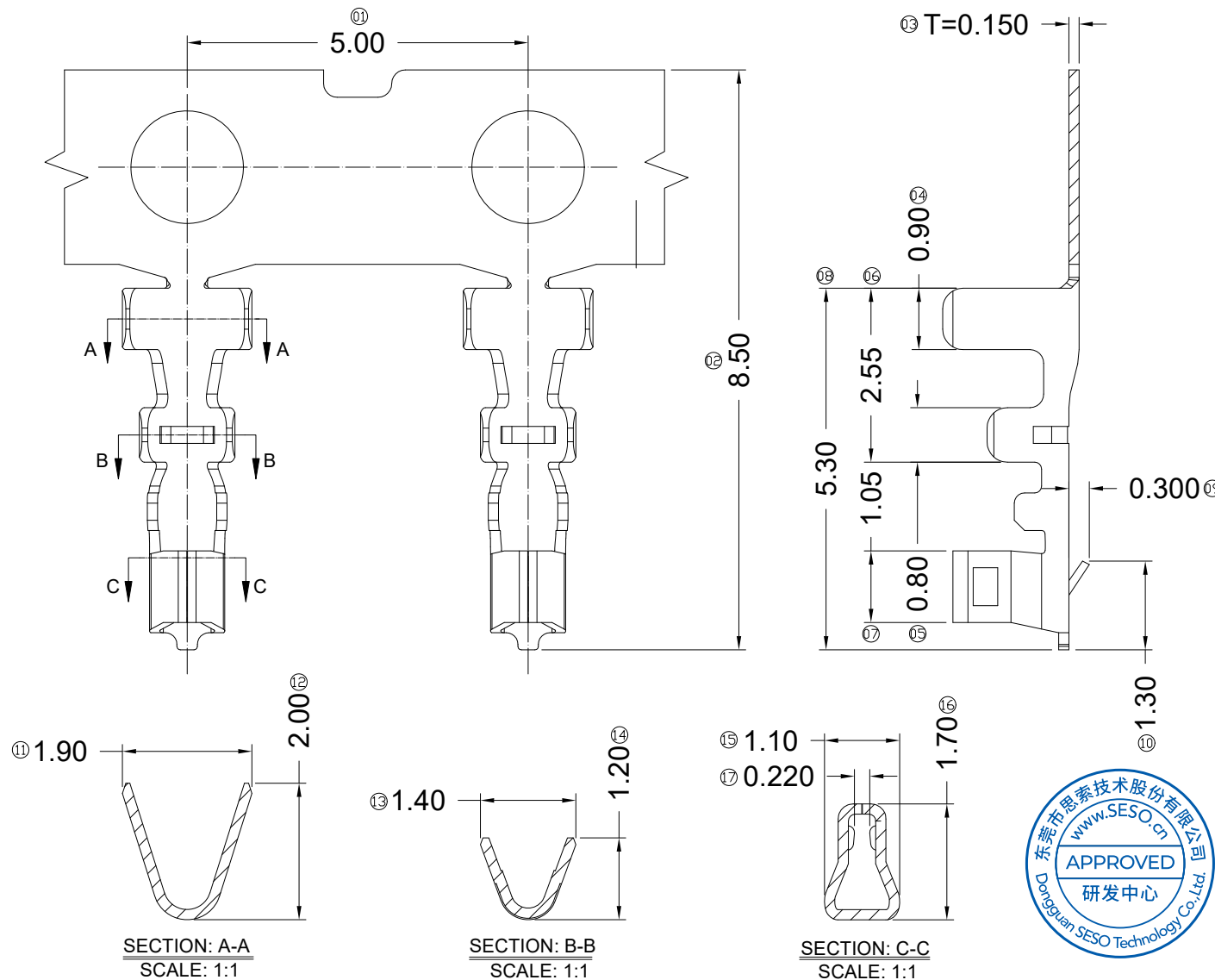
This products can apply to the SESO Doc NO. QA-3-04-005 of Environmental&Material Management Rules

■ Specifications :

- Voltage rating: 350V AC / DC
- Current rating: 4A AC / DC
- Withstanding voltage: 500V AC/minute
- Temperature range: -40°C~+105°C
- Insulation resistance: ≥1000MΩ
- Contact resistance: ≤20mΩ
- After environmental testing: ≤40mΩ
  
- Wire Size: AWG#24~28
- Insulation O.D.: 1.10mm(Max)
- Used In SESO Housing: 1511H-2\*10

1511 T X - H XX X - 01  
 ① ② ③ ④ ⑤ ⑥ ⑦

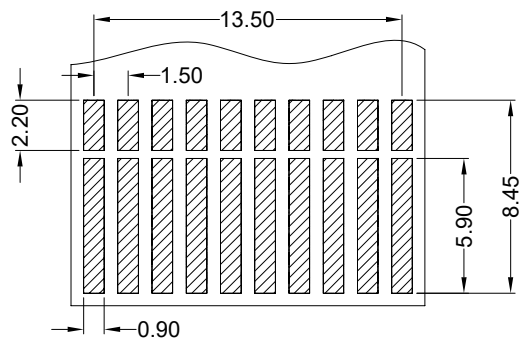
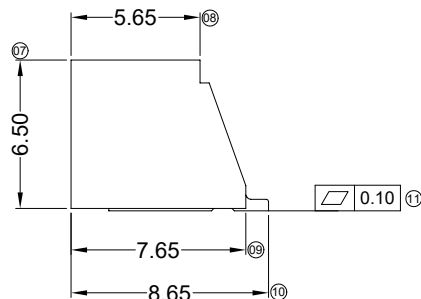
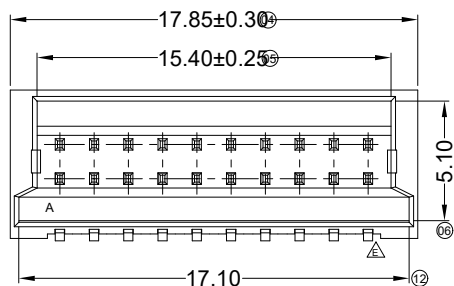
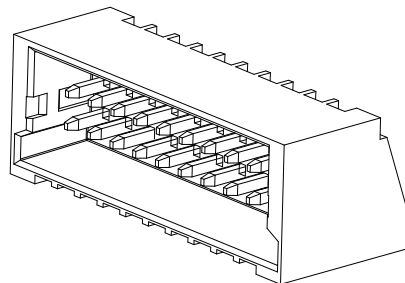
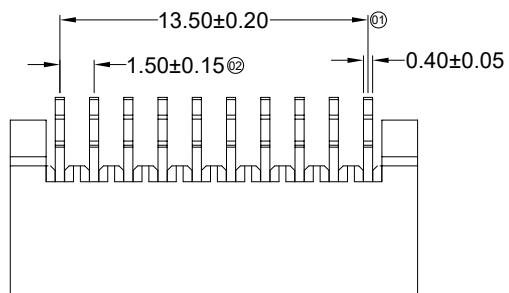
- ① Series Number
- ② Category: T-terminal
- ③ Connector type: Blank-ordinary
- ④ Material: H-High conductivity copper
- ⑤ Plating code: SN-Bright tin plating  
V01-Gold Flash
- ⑥ Plating method: Blank-Stamping before plating  
B-Plating before stamping
- ⑦ Mold No./Mark/Special No.: 01-C18400



					GENERAL TOLERANCE .X ±0.35 .XX ±0.25 .XXX±0.15 X.' ±2' PROJECT 				<b>SMS 东莞市思索技术股份有限公司</b> Dongguan SESO Technology Co.,Ltd.				PART NO. 1511T-HXX-01 TITLE 1.50mm Crimp Style Connectors									
					APPROVAL		CHECK		DRAWN		DATE		UNIT		SCALE		SHEET		REV		NUMBER	
DATE					Smark		Guo		Yu wei		2018/05/09		mm		1:1		1/1		A		CD	
REV																						
ECN NO.																						
DESCRIPTION																						
MODIFY																						
APPROVAL																						

RoHS

This products can apply to the SESO Doc NO. QA-3-04-005 of Environmental&Material Management Rules



Recommad PCB Layout  
General Tolerance±0.05

### Specifications :

- Voltage rating: 350V AC / DC
- Current rating: 4A AC / DC
- Withstanding voltage: 500V AC/minute
- Temperature range: -40°C~+105°C
- Insulation resistance:≥1000MΩ
- Contact resistance: ≤20mΩ
- After environmental testing: ≤40mΩ
- Material(Pin):High conductivity copper
- Mates With SESO Housing:1511H-2\*XX

1511 W R S-2\*XX X- LP XX XX-X

① ② ③ ④ ⑤ ⑥ ⑦ ⑧ ⑨ ⑩

- ① Series No.
- ② Category: W-wafer
- ③ Welding Board Angle: R- Right Angle 90°
- ④ Welding Way: S-SMT
- ⑤ Row No.-Pin No.: 2\*10-20P
- ⑥ Plug the Pin & Special No.  
H-High conductivity copper C7025  
△ H1-High conductivity copper C18400
- ⑦ Material: LP-LCP 94V-0;
- ⑧ Planting Category: SW-Matte tin plating  
V1-Gold flash
- ⑨ Color:Blank-Natural Color B-Black
- ⑩ Package:Blank-Reel C-Reel/ESD

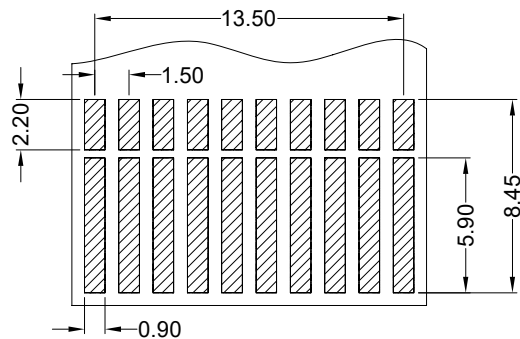
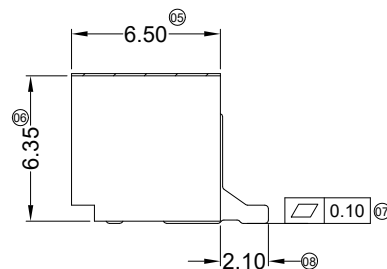
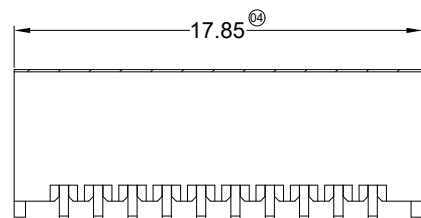
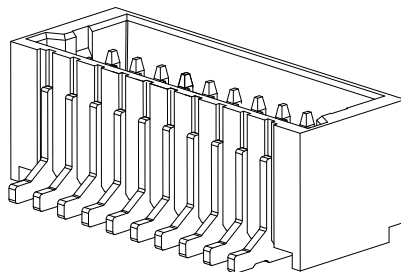
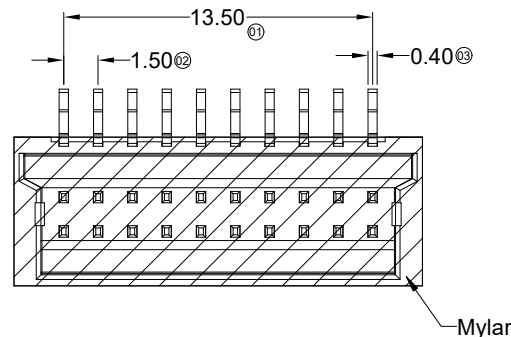


					GENERAL TOLERANCE				PART NO.					
					.X ±0.30				1511WRS-2*10HX-LPXX-X					
					.XX ±0.20				TITLE					
					.XXX±0.10				1.50mm Crimp Style Connectors					
					X.' ±2'				UNIT					
20210422	H	/	Add ESD Package	Mali	Robing	APPROVAL	CHECK	DRAWN	DATE	mm	SCALE	SHEET	REV	NUMBER
DATE	REV	ECN NO.	DESCRIPTION	MODIFY	APPROVAL	PROJECT	Jack Zhang	Larry Yang	Yu wei	2017/06/12	1:1	1/1	H	CD

**SMS** 东莞市思索技术股份有限公司  
Dongguan SESO Technology Co.,Ltd.

RoHS

This products can apply to the SESO Doc NO. QA-3-04-005 of Environmental&Material Management Rules



Recommant PCB Layout  
General Tolerance±0.05



■ Specifications :

- Voltage rating: 350V AC / DC
- Current rating: 4A AC / DC
- Withstanding voltage: 500V AC/minute
- Temperature range: -40°C~+105°C
- Insulation resistance:≥1000MΩ
- Contact resistance: ≤20mΩ
- After environmental testing: ≤40mΩ
- Mates With SESO Housing:1511H-2\*XX

1511 W V S-2\*10 X- XX XXX XX-X  
① ② ③ ④ ⑤ ⑥ ⑦ ⑧ ⑨ ⑩

- ① Series No.
- ② Category: W-wafer
- ③ Welding Board Angle: V- Vertical 180°
- ④ Welding Way: S-SMT
- ⑤ Row No.-Pin No.: 2\*10-20P
- ⑥ Plug the Pin & Special No.  
H-High conductivity copper C7025  
H1-High conductivity copper C18400
- ⑦ Material: LP-LCP 94V-0;
- ⑧ Planting Category: SW-Matte tin plating  
V01-Gold flash
- ⑨ Color: Blank-Natural Color B-Black
- ⑩ Package:Blank-Reel C-Reel/ESD

						GENERAL TOLERANCE				PART NO.							
						.X ±0.30				1511WS-2*10HX-LPXXX-X							
						.XX ±0.20				TITLE							
						.XXX±0.10				1.50mm Crimp Style Connectors							
						X.' ±2'				APPROVAL		CHECK		DRAWN		DATE	
						PROJECT				Jack Zhang		Larry Yang		Jason		2018/09/05	
						PROJECT				UNIT		SCALE		SHEET		REV	
						PROJECT				mm		1:1		1/1		C	
						PROJECT				NUMBER				CD			
						PROJECT											

**SMS** 东莞市思索技术股份有限公司  
Dongguan SESO Technology Co.,Ltd.