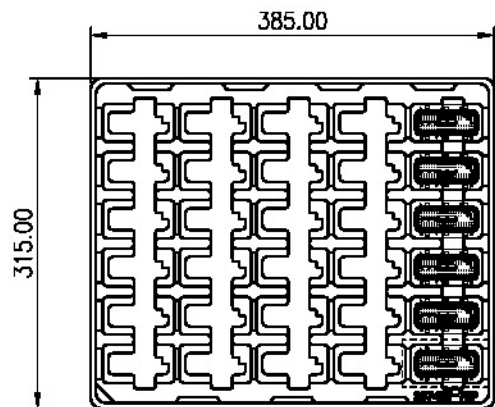


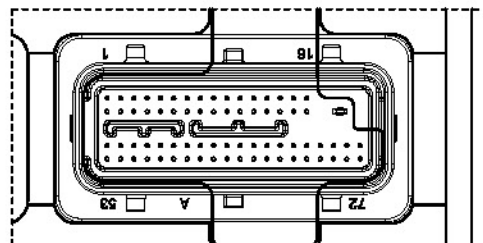
RoHS

本产品符合我司QA-3-04-005
环境管理物质标准规范

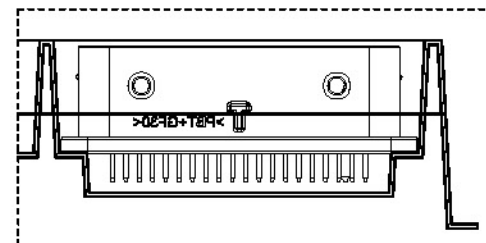
包装图



Step步骤1:



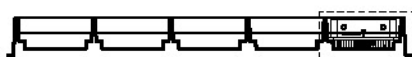
DETAIL: A
5:1



DETAIL: B
5:1

Applicable Product No. 适用产品料号	2574WV-73-PTGN15BT
----------------------------------	--------------------

Poles Pin位	Pcs/Tray Pcs/盘	Tray/Carton 盘/箱	Pcs/Carton Pcs/箱
73Pin	30	10	300



DETAIL A

DETAIL B



The upper and lower disks must
be stacked in reverse order
上下两盘需反向堆叠



Packing step包装步骤:

Step 1: Place the inspected product, arrange neatly and in the same direction into the uptake plastic tray, the quantity cannot be reduced.

步骤1: 将检验好的产品, 整齐并方向一致地放入吸盘盘, 不可少数。

Specification of the uptake plastic tray:

2574SP-3850*3150*350

吸盘盘规格: 2574SP-3850*3150*350

Step 2: Overlap the uptake plastic tray, when it overlaps, adjacent upper and lower tray need to be rotated 180 degrees for stacking, one empty uptake plastic tray is stacked together in every 10 products, and put one on the top layer as well, fold them up into a bundle, then cross and parallel wrap with PE film.

步骤2: 将吸盘盘重叠, 在重叠吸盘盘时, 相邻上下两盘需旋转180度堆叠, 每10盘产品加最顶层1PCS空吸盘盘叠起来为1扎, 然后用PE膜并字缠绕。

Step 3: Put 1 bundle of products bound with PE film in a carton, and put on a waterproof bag, then seal the carton with transparent tape, attach outer carton label.

步骤3: 将1捆放入PE膜并字捆的1扎产品并装入防水袋, 然后跟透明胶布封箱, 贴上升贴标签。

Note: when the carton is not full, filling material is required, cannot shake too much.

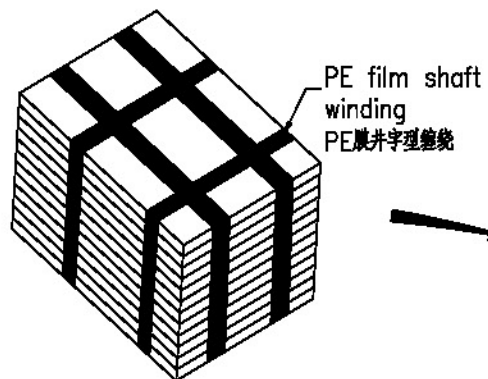
注: 不装满时, 需使用填充物, 不可晃动太大。

Carton size: CB-400*330*360KK-01

纸箱规格: CB-400*330*360KK-01

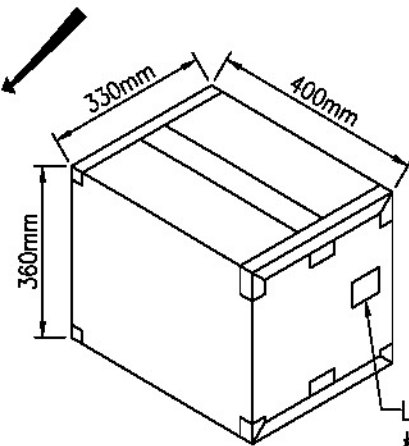
Carton material: K=K; Carton thickness: 6~7mm

纸箱材质: K=K; 纸箱厚度: 6~7mm



PE film shaft winding
PE膜并字缠绕

Step步骤2:



Step步骤3:



Lable view
标签视图

A	20240515	A1	/	Add label view 增加标签视图	Tim Teng 滕敏	Larry Yang 杨棠	
	20230628	A0	/	Initial release 首次发行	/	Larry Yang 杨棠	
	日期	版次	变更编号	变更内容说明	变更人	核准	

<p>一致公差</p> <table border="1"> <tr><td>.X</td><td>±0.35</td></tr> <tr><td>.XX</td><td>±0.25</td></tr> <tr><td>.XXX</td><td>±0.15</td></tr> <tr><td>X:</td><td>1:2</td></tr> </table>				.X	±0.35	.XX	±0.25	.XXX	±0.15	X:	1:2	<p>SMS 东莞市思索技术股份有限公司 Dongguan SESO Technology Co., Ltd.</p>				<p>料号: PK-2574WV-73-PTGN15BT</p>			
.X	±0.35																		
.XX	±0.25																		
.XXX	±0.15																		
X:	1:2																		
核准				审查				制作				日期							
杨棠				莫光培				滕敏				2023/06/28							
名称:		2.54mm Pitch Wafer Packing		单位:		比例:		页次:		版本:		编号:							
mm		1:1		1/1		A1		A-000											