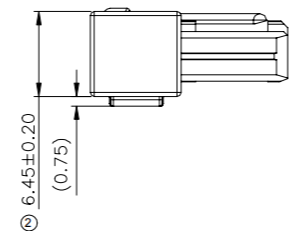
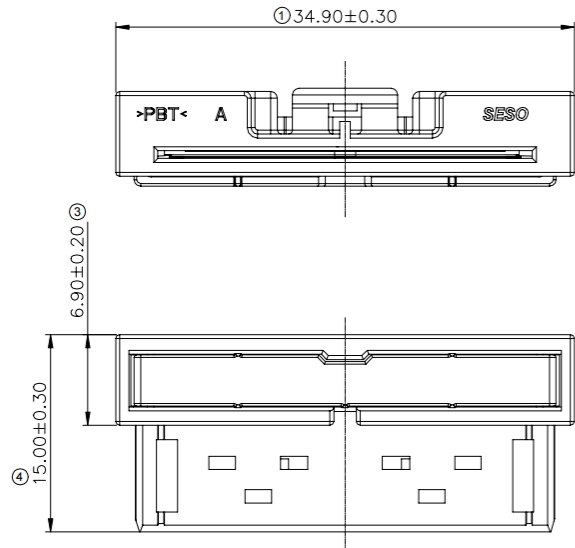
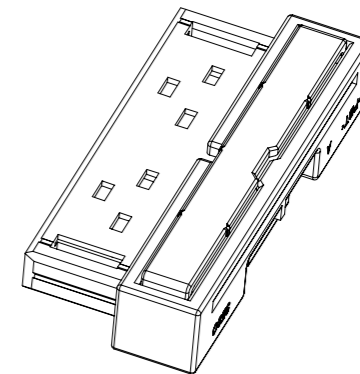
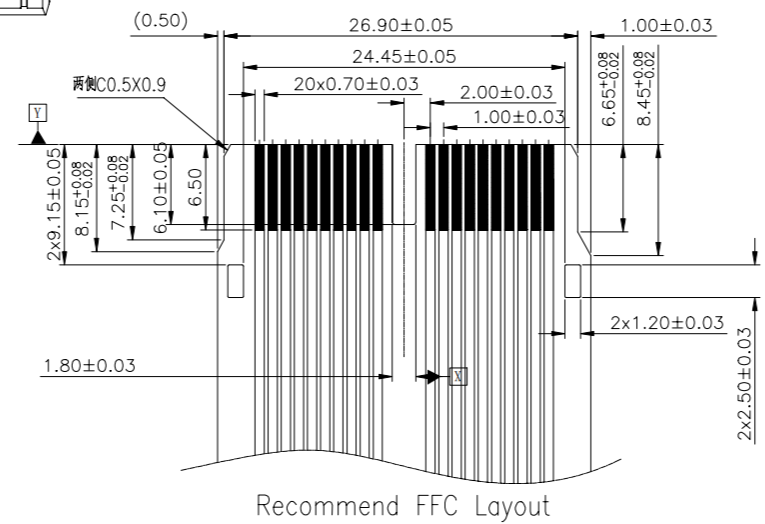
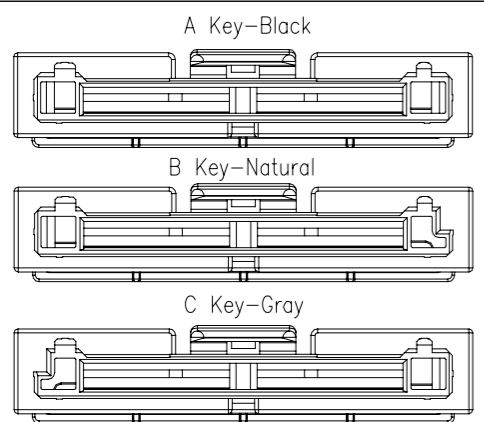


RoHS

This products can apply to the SESO Doc NO. QA-3-04-005 of Environmental&Material Management Rules



- Specifications :
- Current rating: 1A AC/DC
 - Current voltage: 200V AC/DC
 - Withstanding voltage: 500V AC/minute
 - Temperature range: -40°C~+105°C
 - Insulation resistance: ≥100MΩ
 - Contact resistance: <30mΩ
 - Material(Housing): PBT
 - Packaging: Tray



Recommend FFC Layout

1044 A -XX X -PT XX X
 ① ② ③ ④ ⑤ ⑥ ⑦

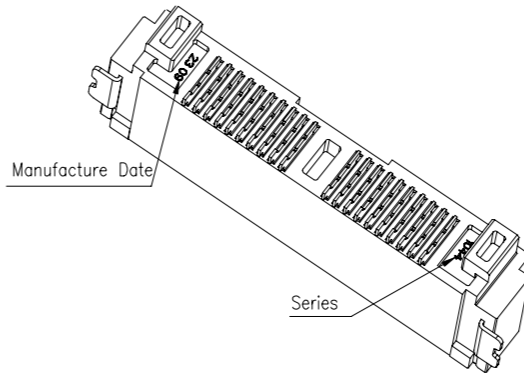
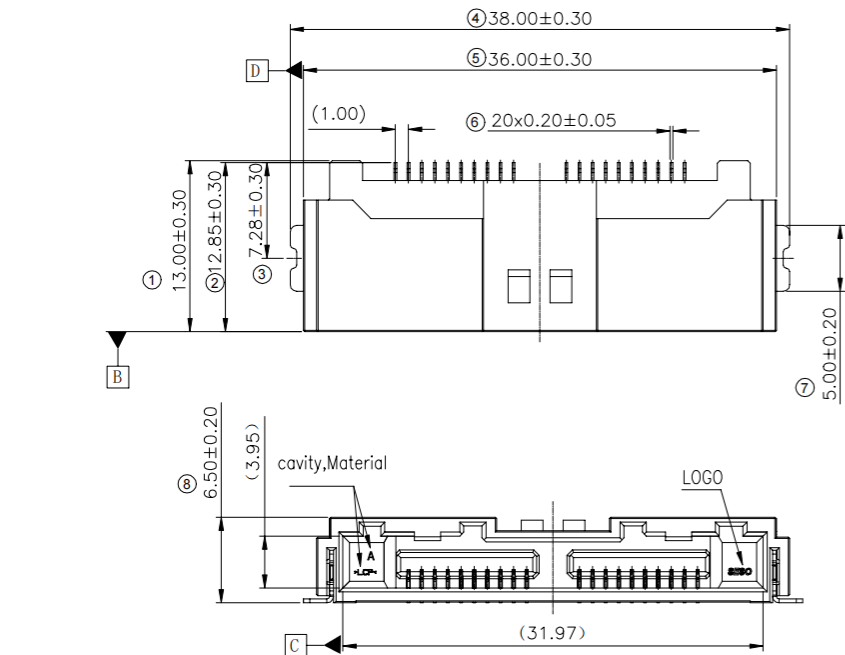
- ① Series No.: 1044
- ② Category: A-HSG
- ③ Pin No.: 20 Pin
- ④ Key No.: A-key A, B-key B, C-key C
- ⑤ Plastic Material: PT-PBT
- ⑥ Color: BK-Black, NC-Natural, GY-Gray
- ⑦ Packing: T-Tray

					GENERAL TOLERANCE				PART NO. 1044A-XXX-PTXXX				
					.X ±0.35				TITLE 1044 Series HSG				
					.XX ±0.25				UNIT mm				
					.XXX ±0.15				SCALE 1:1				
					X' ±2'				SHEET 1/1				
					PROJECT				REV A0				
					APPROVAL				NUMBER CD				
2024.10.7	AO	/	Formal drawing	Mo	Jack Zhang	APPROVAL	CHECK	DRAWN	DATE	Jack Zhang	Larry Yang	Mo	2023.09.09
DATE	REV	ECN NO.	DESCRIPTION	MODIFY	APPROVAL								

SMS 东莞市思索技术股份有限公司
 Dongguan SESO Technology Co.,Ltd.

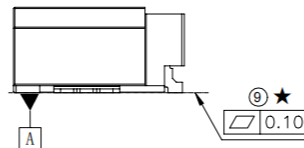
RoHS

This products can apply to the SESO Doc NO. QA-3-04-005 of Environmental&Material Management Rules



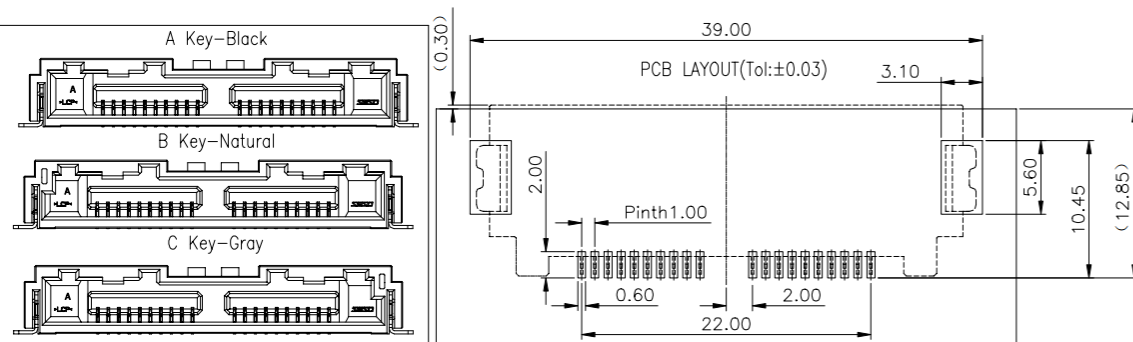
■ Specifications :

- Current rating: 1A AC/DC
- Current voltage: 200V AC/DC
- Withstanding voltage: 500V AC/minute
- Temperature range: -40°C~+105°C
- Insulation resistance: >100MΩ
- Contact resistance: <30mΩ
- Material(Pin): Phosphor bronze
- Material(Housing): LCP
- Symbols for SPC dimensions: "★"
- Packaging: Reel



1044 W R S -XX X -LP XXX X X
 ① ② ③ ④ ⑤ ⑥ ⑦ ⑧ ⑨ ⑩

- ① Series No.: 1044
- ② Category: W-Wafer
- ③ Connector Type: R-Right Angle 90°
- ④ Molding Type: SMT
- ⑤ Pin No.: 20 Pin
- ⑥ Key No.: A-key A, B-key B, C-key C
- ⑦ Plastic Material: LP-LCP
- ⑧ Plating Code: GN3-Au 3u"Min;Ni 50~100u"
- ⑨ Color: B-Black,N-Natural,G-Gray
- ⑩ Packing:R-Reel



					GENERAL TOLERANCE				PART NO.							
					.X ±0.35				1044WRS-XXX-LPXXXX							
					.XX ±0.25				TITLE							
					.XXX±0.15				1044 Series 90° SMT							
					X.' ±2'				APPROVAL		CHECK	DRAWN	DATE			
2024.10.6	AO	/	Formal drawing	Mo	Jack Zhang	PROJECT		Jack Zhang	Larry Yang	Mo	2023.09.09	UNIT	SCALE	SHEET	REV	NUMBER
DATE	REV	ECN NO.	DESCRIPTION	MODIFY	APPROVAL	PROJECT						mm	1:1	1/1	A0	CD

SMS 东莞市思索技术股份有限公司
 Dongguan SESO Technology Co.,Ltd.