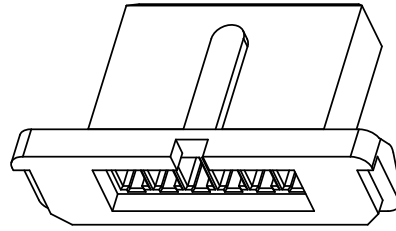
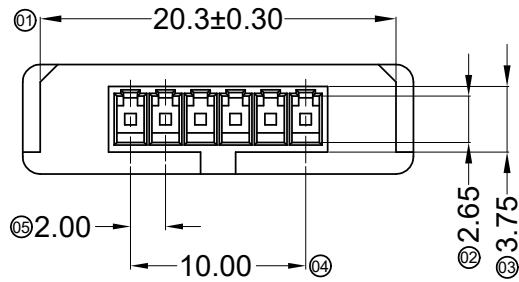


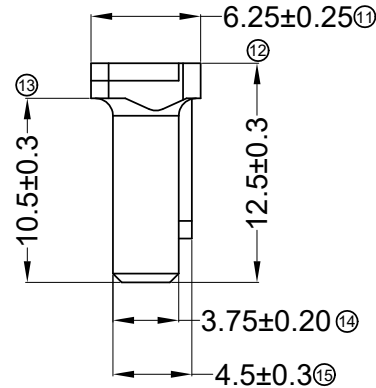
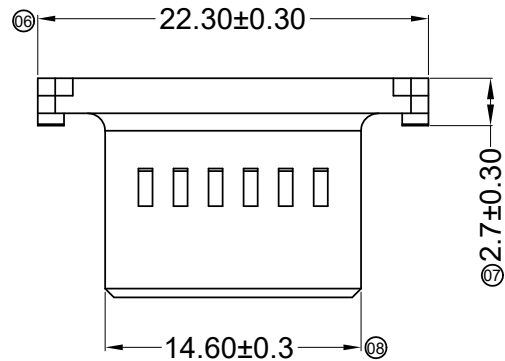
RoHS

This products can apply to the SWB Doc NO. QA-3-04-005 of Environmental&Material Management Rules



■ Specifications :

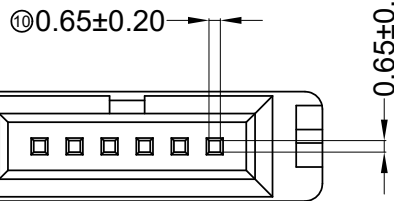
- Voltage rating: 250V AC / DC
- Current rating: 3A AC / DC
- Withstanding voltage: 800V AC/minute
- Temperature range: -25°C~+85°C
- Insulation resistance: ≥1000MΩ
- Contact resistance: ≤10mΩ
- After environmental testing: ≤20mΩ
- Mates With SWB Terminal: 2007T



2007 H X -06 X-XX HF X

① ② ③ ④ ⑤ ⑥ ⑦ ⑧

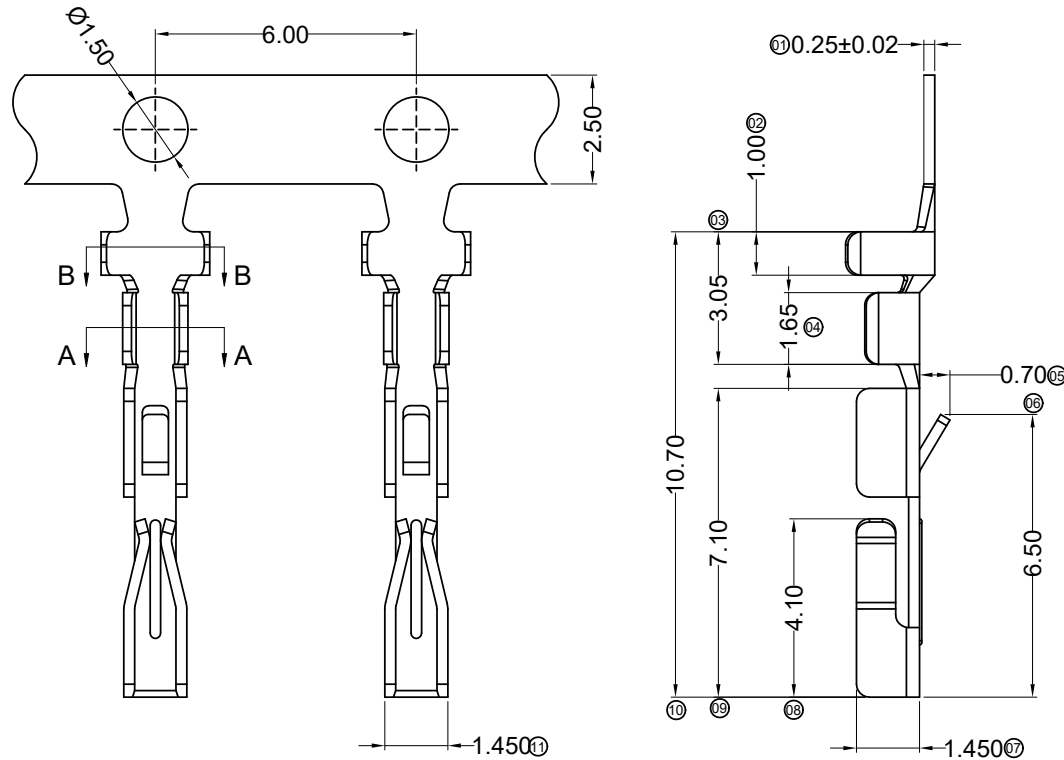
- ① Series No.
- ② Category: H-HSG
- ③ Appearance type: Blank-Ordinary
- ④ Row No.-Pin No.: 06-06P
- ⑤ Plug the Pin & Special No.: Blank-Ordinary
- ⑥ Material : 6T-PA6T 94V-0 N0-PA66 94V-0
- ⑦ HF-Halogen Free
- ⑧ Color: B-Black Blank-Nature



					<p>GENERAL TOLERANCE</p> <p>.X ±0.30</p> <p>.XX ±0.20</p> <p>.XXX ±0.10</p> <p>X.° ±2°</p>				<p>东莞市思索连接器有限公司</p> <p>SWB CONNECTORS CO.,LTD</p>				<p>PART NO.</p> <p>2007H-06-XXHFX</p>				
					<p>APPROVAL</p> <p>CHECK</p> <p>DRAWN</p> <p>DATE</p>				<p>TITLE</p> <p>2.00mm Crimp Style Connector</p>								
20-03-25	B	EN20200416001	Update Drawing Frame	Mali	Joshua							UNIT	SCALE	SHEET	REV	NUMBER	
DATE	REV	ECN NO.	DESCRIPTION	MODIFY	APPROVAL	PROJECT				Wuxiaotao	2016/04/14	mm	1:1	1/1	B	A-000	

RoHS

This products can apply to the SWB Doc NO. QA-3-04-005 of Environmental&Material Management Rules

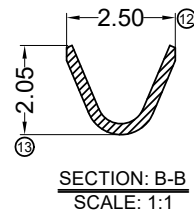
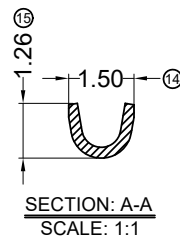
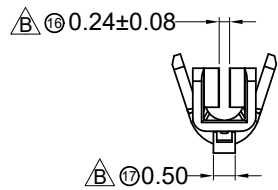


Specifications :

- Voltage rating: 250V AC / DC
- Current rating: 2A AC / DC
- Withstanding voltage: 1000V AC/minute
- Temperature range: -25°C~+85°C
- Insulation resistance:≥1000MΩ
- Contact resistance: ≤10mΩ
- After environmental testing: ≤20mΩ
- Wire Range:AWG#26~28
- Insulation O.D:1.00mm(Max)
- Mates With SWB Housing: 2007H

2007 T X-P G15 X - X
① ② ③ ④ ⑤ ⑥ ⑦

- ① Series Number
- ② Category: T-Terminal
- ③ Shape: Blank-ordinary
- ④ Material: P-Phosphor bronze
- ⑤ Plating style: G15-Contact Area Gold 15u" ; Crimp Area Bright Tin100u" Min. ; Ni 50u"Min. All over
- ⑥ Plating method: Blank-Stamping before plating
- ⑦ Mold No./Mark/Special No.



					GENERAL TOLERANCE				PART NO. 2007T-PG15X-X					
					.X ±0.30				东莞市思索连接器有限公司 SWB CONNECTORS CO.,LTD					
					.XX ±0.20									
					.XXX ±0.10				TITLE					
					X° ±2°				2.00mm Crimp Style Connectors					
					PROJECT				APPROVAL					
									CHECK DRAWN DATE					
20-04-02	B	EN20200416001	Update the drawing according to the Product	Joshua	Joshua	Wuxiaotao		2016/04/29		UNIT				
DATE	REV	ECN NO.	DESCRIPTION	MODIFY	APPROVAL					mm	SCALE	SHEET	REV	NUMBER
										1:1	1/1	B	A-000	

RoHS

This products can apply to the SWB Doc NO. QA-3-04-005 of Environmental&Material Management Rules

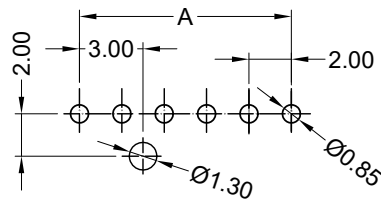
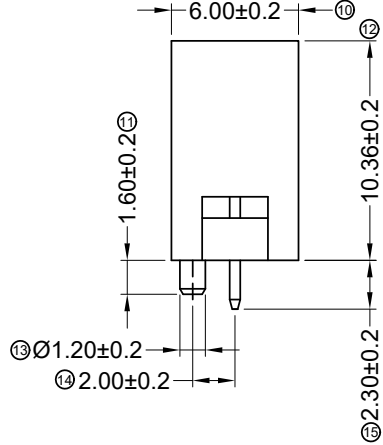
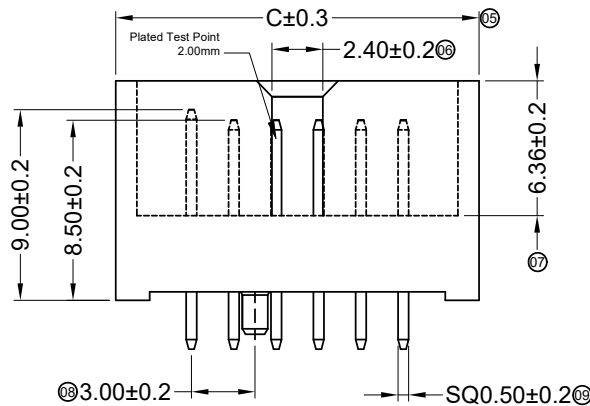
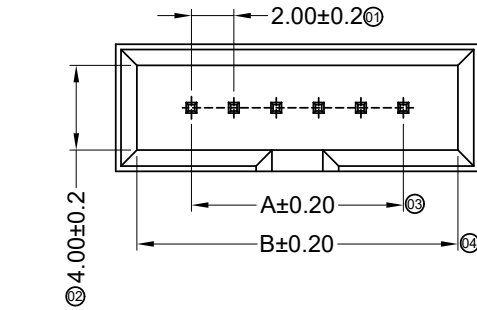


■ Specifications :

- Voltage rating: 250V AC / DC
- Current rating: 3A AC / DC
- Withstanding voltage: 800V AC/minute
- Temperature range: -25°C~+85°C
- Insulation resistance: ≥1000MΩ
- Contact resistance: ≤10mΩ
- After environmental testing: ≤20mΩ
- Material(Pin): Brass
- Mates With SWB Housing: 2007H

2007 W V X-XX PA -4T XX XX
① ② ③ ④ ⑤ ⑥ ⑦ ⑧ ⑨

- ① Series No.
- ② Category: W-WAFER
- ③ Welding Board Angle: V- Stright 180° ;
- ④ Welding Way: Blank-DIP
- ⑤ Row No.-Pin No.: XX-04P~10P
- ⑥ Plug the Pin & Special No.: P-With Post
A-#1PIN=9.0mm, other PIN 8.50mm
- ⑦ Material: 4T-PA4T 94V-0
- ⑧ Plating Category: V15-Contact Area 15u" Min
Solder Area : Gold flash ; Ni: 50u" Min
- ⑨ Color : Blank-Color Black



Recommended P.C.B Layout
General Tolerance±0.05

Poles	Dimensions (mm)		
	A	B	C
04	6.00	11.10	13.10
05	8.00	13.10	15.10
06	10.00	15.10	17.10
07	12.00	17.10	19.10
08	14.00	19.10	21.10
09	16.00	21.10	23.10
10	18.00	23.10	25.10

GENERAL TOLERANCE	
.X	±0.30
.XX	±0.20
.XXX	±0.10
X.°	±2°
PROJECT	
⊕	□



东莞市思索连接器有限公司
SWB CONNECTORS CO.,LTD

PART NO.
2007WV-XXPA-4TV15

TITLE
2.00mm Crimp Style Connector

20-03-25	B	EN20200416001	Update Drawing Frame	Mali	Joshua
DATE	REV	ECN NO.	DESCRIPTION	MODIFY	APPROVAL

APPROVAL	CHECK	DRAWN	DATE
		Joshua	2017/04/27

UNIT	SCALE	SHEET	REV	NUMBER
mm	1:1	1/1	B	A-000

RoHS

This products can apply to the SWB Doc NO. QA-3-04-005 of Environmental&Material Management Rules

Specifications :

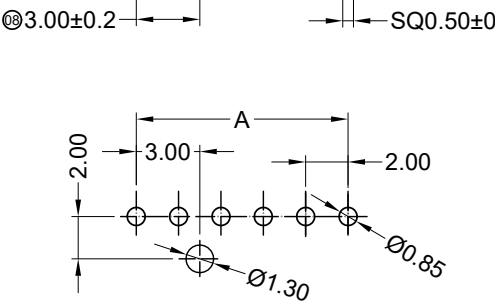
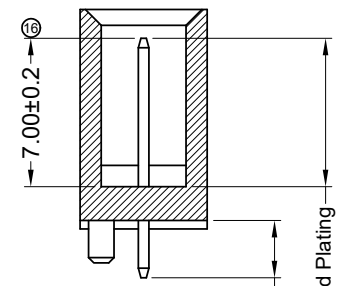
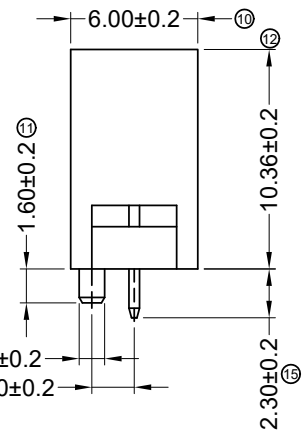
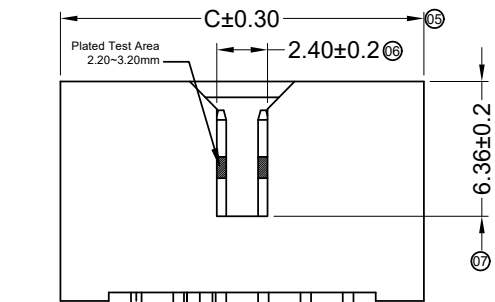
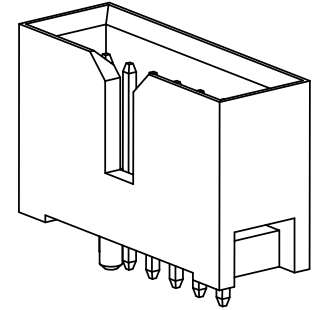
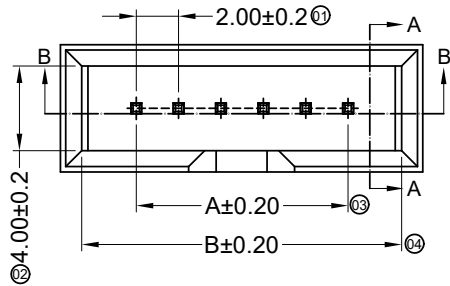
- Voltage rating: 250V AC / DC
- Current rating: 3A AC / DC
- Withstanding voltage: 800V AC/minute
- Temperature range: -25°C~+85°C
- Insulation resistance: ≥1000MΩ
- Contact resistance: ≤10mΩ
- After environmental testing: ≤20mΩ
- Material(Pin): Brass
- Mates With SWB Housing: 2007H



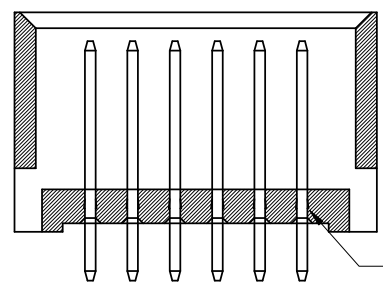
2007 W V X-XX P -XX XX XX
① ② ③ ④ ⑤ ⑥ ⑦ ⑧ ⑨

- ① Series No.
- ② Category: W-WAFER
- ③ Welding Board Angle: V- Stright 180° ;
- ④ Welding Way: Blank-DIP
- ⑤ Row No.-Pin No.: XX-04P~10P
- ⑥ Plug the Pin & Special No.: P-With Post
- ⑦ Material: LP-LCP 94V-0
- ⑧ Plating Category: G15-Contact Area 15u" Min Solder Area : Matte Tin 100u Min. ; Ni: 50u" Min
- ⑨ Color : Blank- Black

Poles	Dimensions (mm)		
	A	B	C
04	6.00	11.10	13.10
05	8.00	13.10	15.10
06	10.00	15.10	17.10
07	12.00	17.10	19.10
08	14.00	19.10	21.10
09	16.00	21.10	23.10
10	18.00	23.10	25.10



Recommended P.C.B Layout
General Tolerance±0.05



SECTION B-B

GENERAL TOLERANCE					APPROVAL				PART NO.						
.X ±0.30					东莞市思索连接器有限公司 SWB CONNECTORS CO.,LTD				2007WV-XXP-LPG15XX						
.XX ±0.20									TITLE						
.XXX ±0.10									2.00mm Crimp Style Connector						
X.° ±2°									UNIT SCALE SHEET REV NUMBER						
DATE	REV	ECN NO.	DESCRIPTION	MODIFY	APPROVAL	PROJECT	APPROVAL	CHECK	DRAWN	DATE	mm	1:1	1/1	B	A-000
20-03-25	B	EN20200416001	Update Drawing Frame	Mali	Joshua				Joshua	2017/04/27					

RoHS

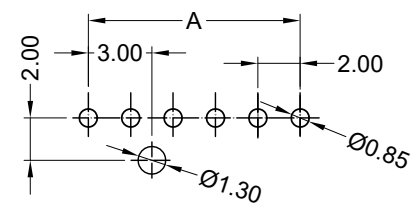
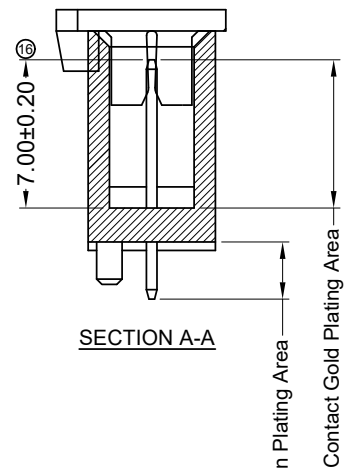
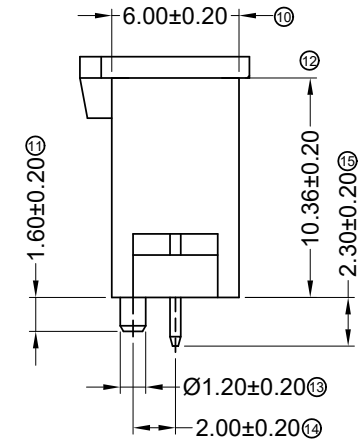
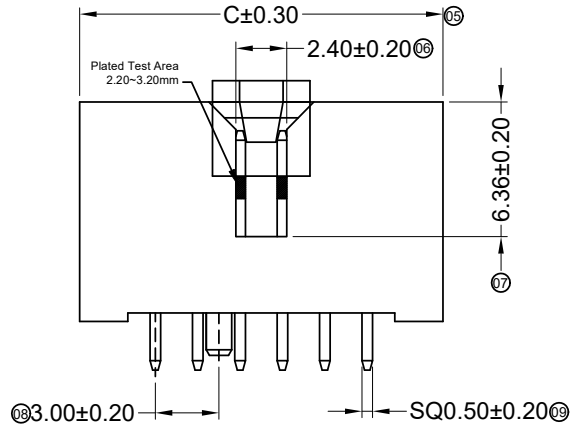
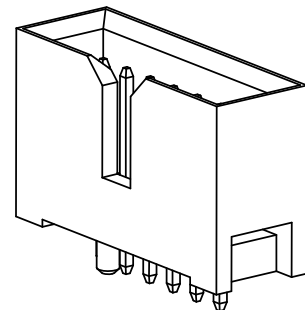
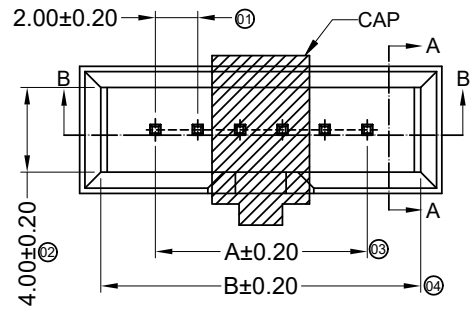
This products can apply to the SWB Doc NO. QA-3-04-005 of Environmental&Material Management Rules

- Specifications :
- Voltage rating: 250V AC / DC
 - Current rating: 3A AC / DC
 - Withstanding voltage: 800V AC/minute
 - Temperature range: -25°C~+85°C
 - Insulation resistance: ≥1000MΩ
 - Contact resistance: ≤10mΩ
 - After environmental testing: ≤20mΩ
 - Material(Pin): Brass
 - Mates With SWB Housing: 2007H

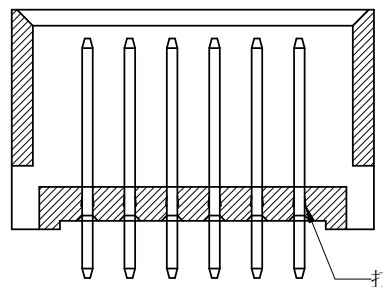


2007 W V X-XX PC -XX XX XX
① ② ③ ④ ⑤ ⑥ ⑦ ⑧ ⑨

- ① Series No.
- ② Category: W-WAFER
- ③ Welding Board Angle: V- Stright 180° ;
- ④ Welding Way: Blank-DIP
- ⑤ Row No.-Pin No.: XX-04P~10P
- ⑥ Plug the Pin & Special No.: PC-With Cap
- ⑦ Material: LP-LCP 94V-0
- ⑧ Plating Category: G15-Contact Area 15u" Min
Solder Area Matte Tin 100u Min. ; Ni: 50u" Min
- ⑨ Color : Blank- Black N-Nature



Recommended P.C.B Layout
General Tolerance±0.05



Poles	Dimensions (mm)		
	A	B	C
04	6.00	11.10	13.10
05	8.00	13.10	15.10
06	10.00	15.10	17.10
07	12.00	17.10	19.10
08	14.00	19.10	21.10
09	16.00	21.10	23.10
10	18.00	23.10	25.10

					GENERAL TOLERANCE .X ±0.30 .XX ±0.20 .XXX ±0.10 X.° ±2°				东莞市思索连接器有限公司 SWB CONNECTORS CO.,LTD				PART NO. 2007WV-XXPC-LPG15XX				
					PROJECT 				APPROVAL CHECK DRAWN DATE				TITLE 2.00mm Crimp Style Connector				
20-03-25	B	EN20200416001	Update Drawing Frame	Mali	Joshua							UNIT	SCALE	SHEET	REV	NUMBER	
DATE	REV	ECN NO.	DESCRIPTION	MODIFY	APPROVAL			Joshua	2017/04/27			mm	1:1	1/1	B	A-000	