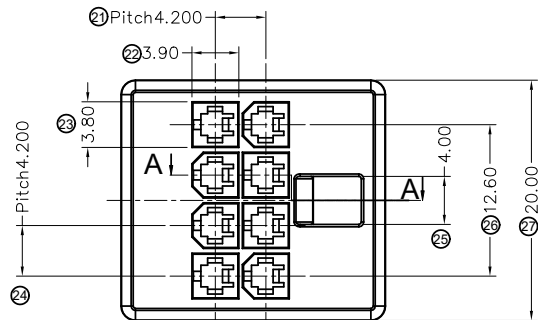
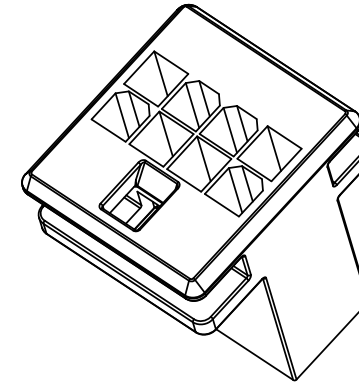
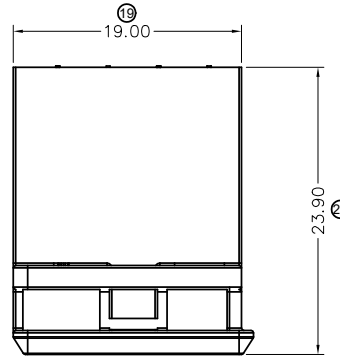
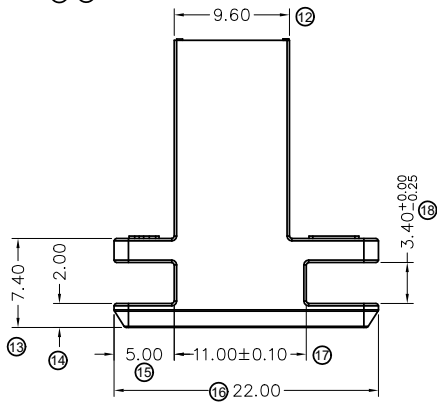
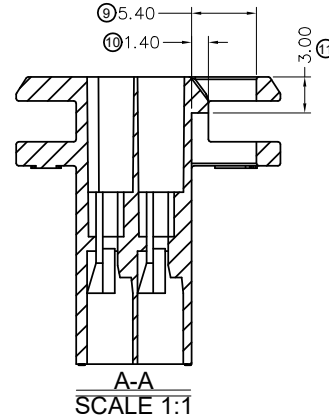
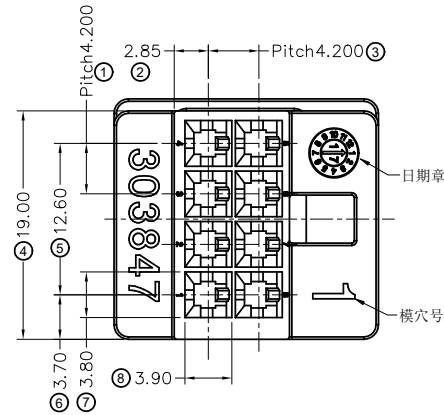




RoHS

This products can apply to the SWB Doc NO. QA-3-04-005 of Environmental&Material Management Rules



9357 H F - 2\*04 L - N0 BK  
① ② ③ ④ ⑤ ⑥ ⑦

- ① Series No.
- ② Category: H-HSG
- ③ Welding Board Angle: F-Female
- ④ Row No.-Pin No.: 2\*04-2\*04P
- ⑤ Plug the Pin & special No.: L-Splint
- ⑥ Material: N0-PA66 94V-0; N2-PA66 94V-2
- ⑦ Color : Blank-Natural Color  
BK-Black

					GENERAL TOLERANCE .X ±0.30 .XX ±0.20 .XXX ±0.10 X.° ±2°				东莞市思索连接器有限公司 SWB CONNECTORS CO.,LTD				PART NO. 9357HF-2*04L-N0BK								
					APPROVAL Smark				CHECK Guo				DRAWN Alanqin				DATE 2017/09/06				
					PROJECT 												TITLE MX 4.20mm 2*4PIN 母端 HSG				
																	UNIT mm				
																	SCALE 1:1				
																	SHEET 1/1				
																	REV B				
																	NUMBER A-000				

2020/04/15	B	ER20200415001	Update the drawing	Zeng	Robing								
DATE	REV	ECN ON.	DESCRIPTION	MODIFY	APPROVAL								