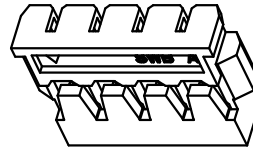


RoHS

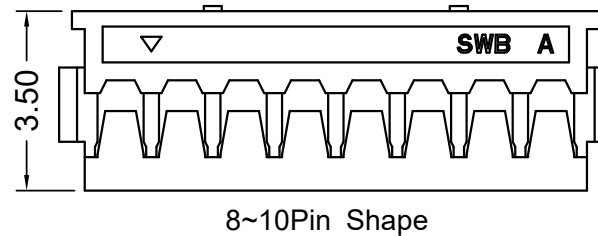
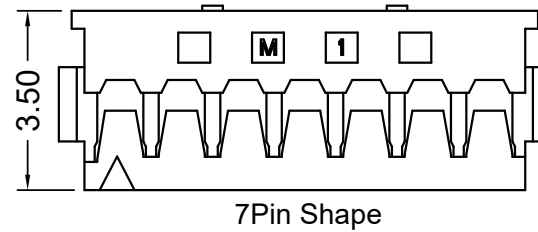
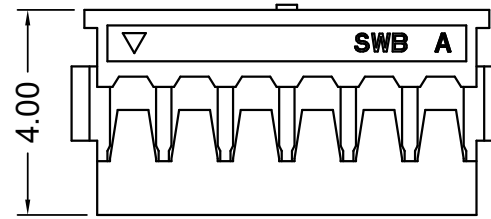
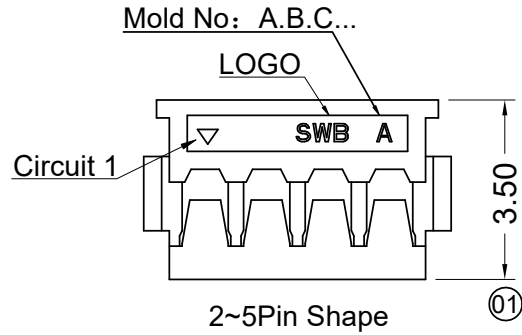
This products can apply to the SWB Doc NO. QA-3-04-005 of Environmental&Material Management Rules

Specifications :

- Voltage rating: 50V AC / DC
- Current rating: 2A AC / DC
- Withstanding voltage: 500V AC/minute
- Temperature range: -40°C~+105°C
- Insulation resistance:≥100MΩ
- Contact resistance: ≤20mΩ
- After environmental testing: ≤40mΩ
- Mates With SWB Housing: 1224T / 1224W



3D View

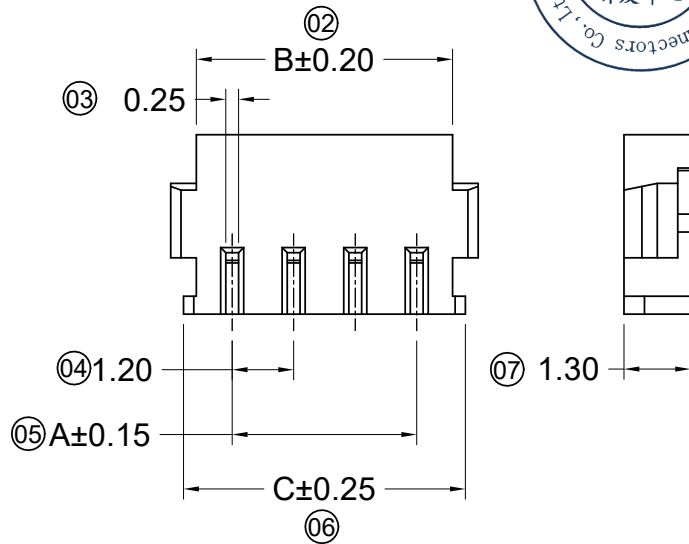


1224 H X- XX XX-LP XX
① ②③ ④ ⑤ ⑥ ⑦

- ① Series No.
- ② Category: H-HSG
- ③ Connector type: Blank-ordinary
- ④ Row No.-Pin No per row: XX-02~10P
- ⑤ Special No.
- ⑥ Material: LP-LCP 94V-0
- ⑦ Color: Blank-Natural Color Black



Poles	Dimensions(mm)		
	A	B	C
2	1.20	2.60	3.10
3	2.40	3.80	4.30
4	3.60	5.00	5.50
5	4.80	6.20	6.70
6	6.00	7.40	7.90
7	7.20	8.60	9.10
8	8.40	9.80	10.30
9	9.60	11.00	11.50
10	10.80	12.20	12.70



					<p>GENERAL TOLERANCE</p> <p>.X ±0.35</p> <p>.XX ±0.25</p> <p>.XXX ±0.15</p> <p>X.° ±2°</p>				<p>东莞市思索连接器有限公司</p> <p>SWB CONNECTORS CO.,LTD</p>				<p>PART NO. 1224H-XX-LP</p>							
					<p>APPROVAL</p> <p>Robing</p>				<p>CHECK</p> <p>YYting</p>				<p>DRAWN</p> <p>Yu wei</p>				<p>DATE</p> <p>2018.04.14</p>			
					<p>PROJECT</p> <p>Robing</p>				<p>PROJECT</p> <p>YYting</p>				<p>PROJECT</p> <p>Yu wei</p>				<p>DATE</p> <p>2018.04.14</p>			
2020.3.06	F	EN20180414001	Update Drawing Frame, The Same ECR And ECN NO.	YYting	Robing									<p>TITLE 1.20 mm Crimp Style Connectors</p>						
DATE	REV	ECN NO.	DESCRIPTION	MODIFY	APPROVAL									UNIT	SCALE	SHEET	REV	NUMBER		
														mm	1:1	1/1	F	A-022		

RoHS

This products can apply to the SWB Doc NO. QA-3-04-005 of Environmental&Material Management Rules

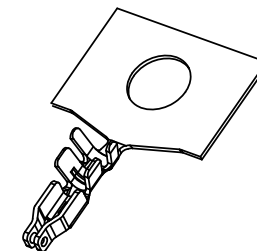
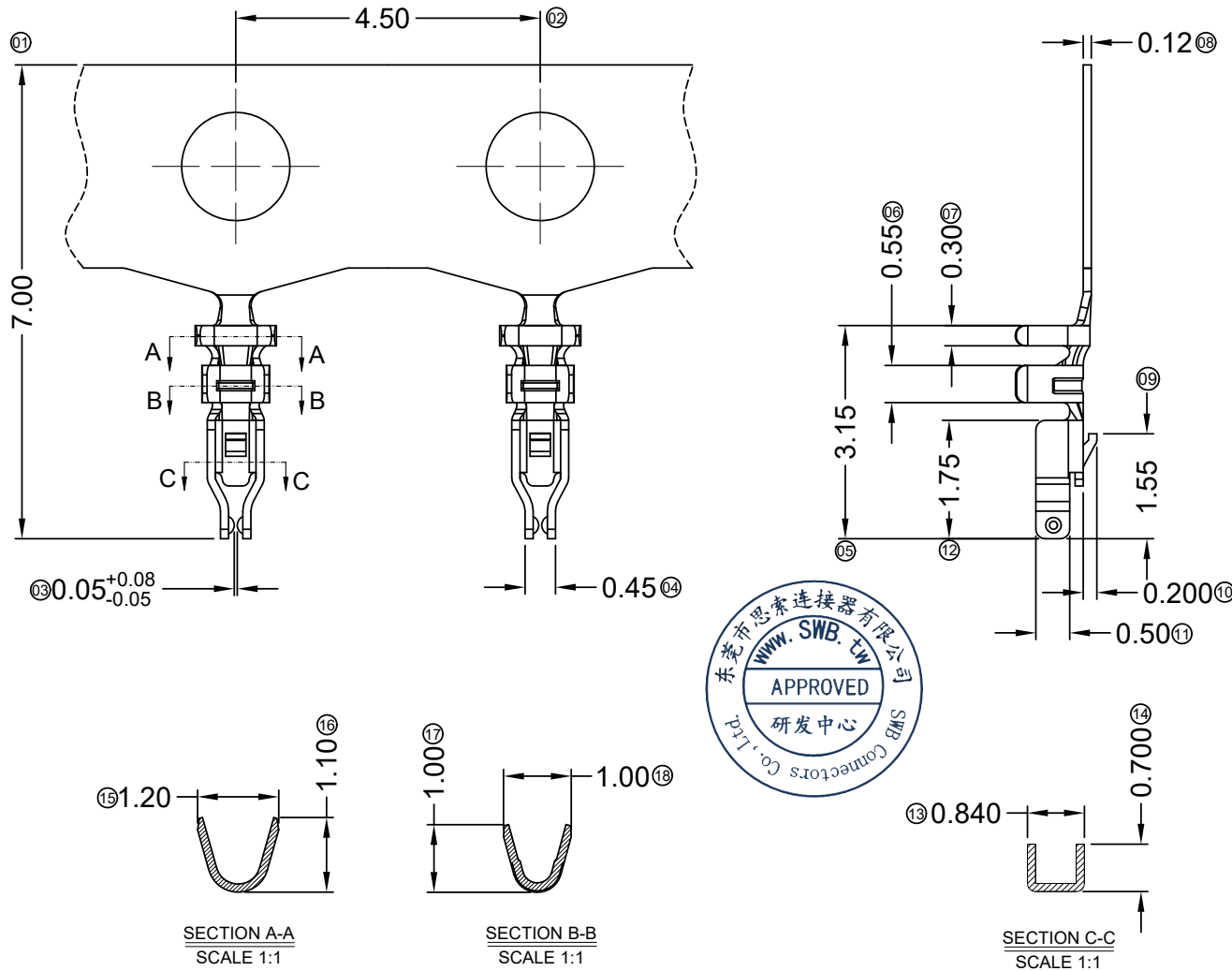
■ Specifications :

- Voltage rating: 50V AC / DC
- Current rating: 2A AC / DC
- Withstanding voltage: 500V AC/minute
- Temperature range: -40°C~+105°C
- Insulation resistance: ≥100MΩ
- Contact resistance: ≤20mΩ
- After environmental testing: ≤40mΩ
- Material(Pin): Phosphor bronze
- Mates With SWB Housing: 1224H
- Wire Range: AWG#28-30
- Insulation O.D. : 0.70mm (Max.)

1224 T X - P V01 X

① ② ③ ④ ⑤ ⑥

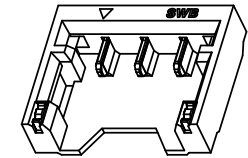
- ① Series Number
- ② Category: T-terminal
- ③ Shape: Blank-ordinary
- ④ Material: P-Phosphor bronze
- ⑤ Plating style: V01- All Gold Flash
- ⑥ Plating code:
Blank-Stamping before plating



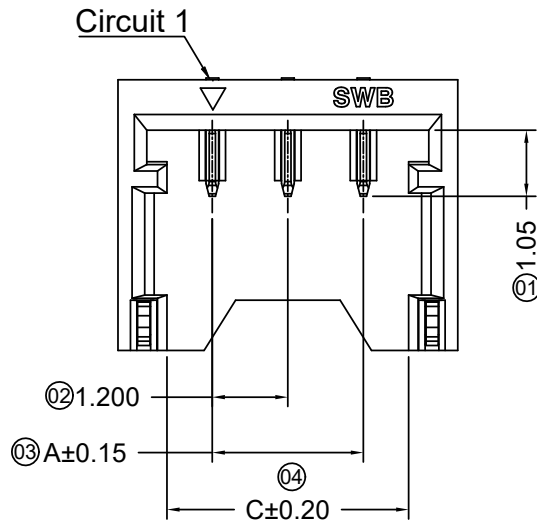
					<p>GENERAL TOLERANCE</p> <p>.X ±0.30</p> <p>.XX ±0.20</p> <p>.XXX ±0.10</p> <p>X.° ±2°</p>				<p>东莞市思索连接器有限公司</p> <p>SWB CONNECTORS CO.,LTD</p>				<p>PART NO. 1224T-PV01</p>												
					<p>APPROVAL</p> <p>Robing</p>				<p>CHECK</p> <p>YYting</p>				<p>DRAWN</p> <p>Luna</p>				<p>DATE</p> <p>2012/12/21</p>				<p>TITLE 1.20mm Crimp Style Connectors</p>				
2020.3.09	E	EN20190920003	Update Drawing Frame, The Same ECR And ECN NO.	YYting	Robing									UNIT	SCALE	SHEET	REV	NUMBER							
DATE	REV	ECN NO.	DESCRIPTION	MODIFY	APPROVAL									mm	1:1	1/1	E	A-014							

RoHS

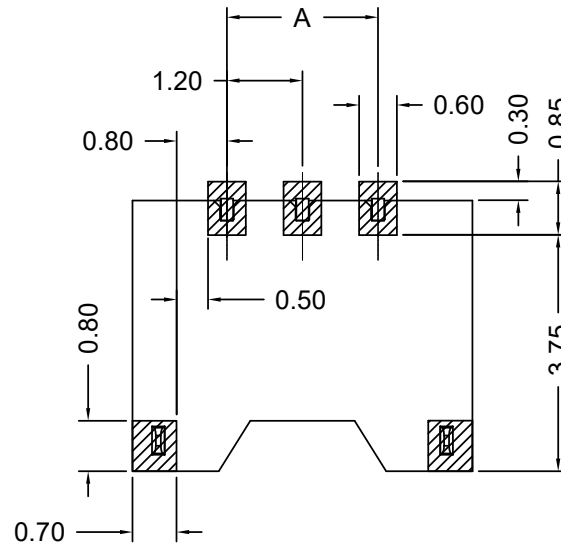
This products can apply to the SWB Doc NO. QA-3-04-005 of Environmental&Material Management Rules



3D View



2-3 Pin Without Sticking Point



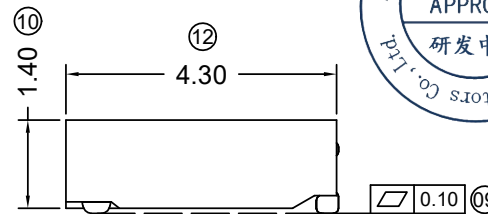
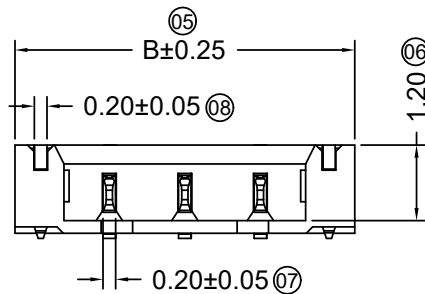
RECOMMENDED PCB LAYOUT
GENERAL TOLERANCE ±0.05

Specifications :

- Voltage rating: 50V AC / DC
- Current rating: 2A AC / DC
- Withstanding voltage: 500V AC/minute
- Temperature range: -40°C~+105°C
- Insulation resistance: ≥100MΩ
- Contact resistance: ≤20mΩ
- After environmental testing: ≤40mΩ
- Material(Solder Tabs):Phosphor Bronze
- Finish(Solder Tabs):Matte Tin Plating
- Mates With SWB Housing: 1224H

1224 W R S-XX X- XX V01 XX -X
① ② ③ ④ ⑤ ⑥ ⑦ ⑧ ⑨ ⑩

- ① Series No.
- ② Category: W-wafer
- ③ Connector type: R-Right Angle 90°
- ④ Mounting type: S-SMT
- ⑤ Row No.-Pin No per row: XX-02P~03P
- ⑥ Special No:
- ⑦ Material: LP-LCP 94V-0 ; 4T-PA4T
- ⑧ Planting Code: V01: All Gold Flash
V03: All Gold 3μ"
- ⑨ Color: Blank- Black Color
- ⑩ Pin Material: Blank-Phosphor Bronze
H-High conductivity copper



Poles	Dimensions(mm)			Poles	Dimensions(mm)		
	A	B	C		A	B	C
02	1.20	4.20	2.64	03	2.40	5.40	3.84

DATE	REV	ECN NO.	DESCRIPTION	MODIFY	APPROVAL	PROJECT	APPROVAL	CHECK	DRAWN	DATE	UNIT	SCALE	SHEET	REV	NUMBER
2020.4.15	K	ER20190302001	Update Drawing Frame, The Same ECR And ECN NO.	YYting	Robing	Robing	YYting	Oenh		2018/12/05	mm	1:1	1/1	K	A-000



东莞市思索连接器有限公司

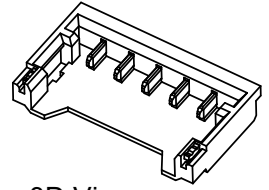
SWB CONNECTORS CO.,LTD

PART NO. 1224WRS-XX-XXVXXX-X

TITLE 1.20mm Crimp Style Connectors

RoHS

This products can apply to the SWB Doc NO. QA-3-04-005 of Environmental&Material Management Rules



3D View

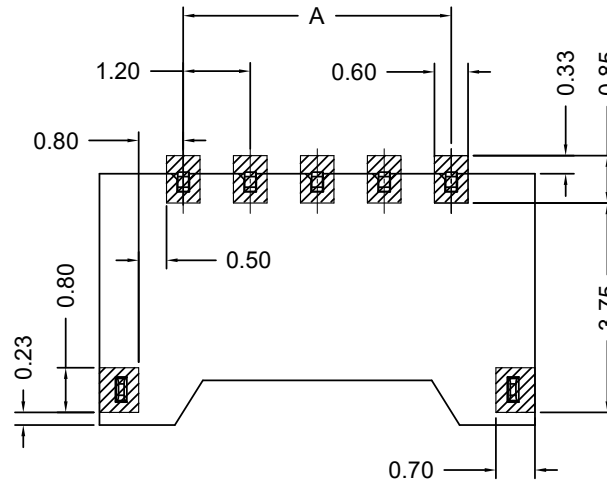
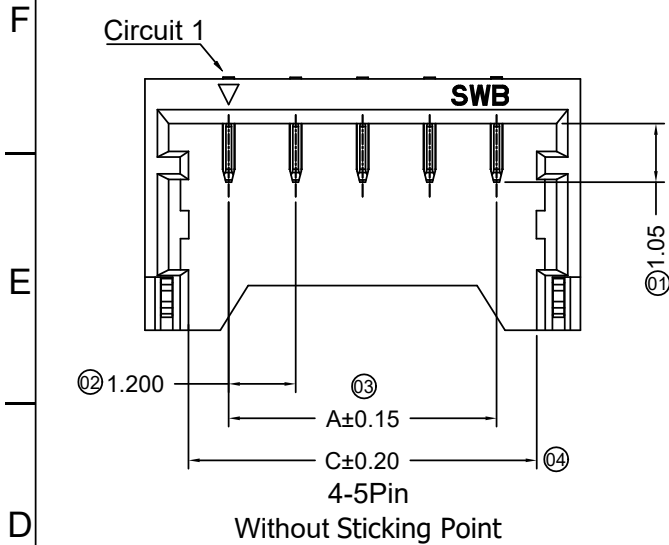
Specifications :

- Voltage rating: 50V AC / DC
- Current rating: 2A AC / DC
- Withstanding voltage: 500V AC/minute
- Temperature range: 40°C~+105°C
- Insulation resistance: ≥100MΩ
- Contact resistance: ≤20mΩ
- After environmental testing: ≤40mΩ
- Material(Solder Tabs): Phosphor Bronze
- Finish(Solder Tabs): Matte Tin Plating
- Mates With SWB Housing: 1224H

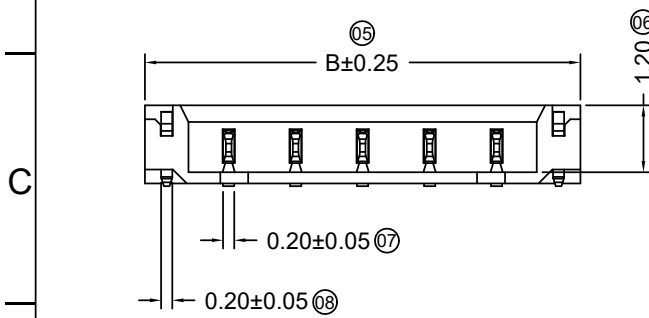
1224 W R S - XX L - XX V01 XX - X
 ① ② ③ ④ ⑤ ⑥ ⑦ ⑧ ⑨ ⑩

- ① Series No.
- ② Category: W-wafer
- ③ Connector type: R-Right Angle 90°
- ④ Mounting type: S-SMT
- ⑤ Row No.-Pin No per row: XX-04P~10P
- ⑥ Special No.: L-36 Edition
- ⑦ Material: 4T-PA4T 94V-0; LP-LCP 94V-0
- ⑧ Planting Code: V01: All Gold Flash
V03: All Gold 3μ"
- ⑨ Color: Blank-Black Color
- ⑩ Pin Material :Blank-Phosphor Bronze
H-High conductivity copper

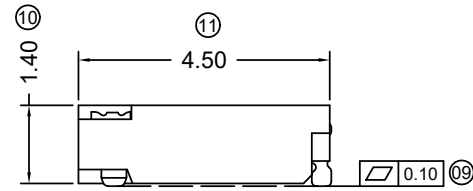
Poles	Dimensions(mm)			Poles	Dimensions(mm)		
	A	B	C		A	B	C
04	3.60	6.60	5.04	08	8.40	11.40	9.84
05	4.80	7.80	6.24	09	9.60	12.60	11.04
06	6.00	9.00	7.44	10	10.80	13.80	12.24
07	7.20	10.20	8.64				



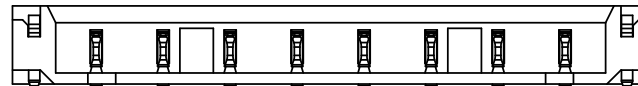
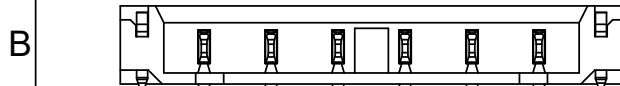
RECOMMENDED PCB LAYOUT
 GENERAL TOLERANCE ±0.05



6P With Sticking Point
 Scale 1:1




7~10P With Sticking Point
 Scale 1:1



DATE	REV	ECN NO.	DESCRIPTION	MODIFY	APPROVAL
2020.4.15	K	ER20190302001	Update Drawing Frame, The Same ECR And ECN NO.	YYting	Robing

GENERAL TOLERANCE	
.X	±0.30
.XX	±0.20
.XXX	±0.10
X.°	±2°


东莞市思索连接器有限公司
SWB CONNECTORS CO.,LTD

APPROVAL **CHECK** **DRAWN** **DATE**
 Robing YYting Allen 2013/08/31

PART NO.				
1224WRS-XXL-XXV01XX-X				
TITLE				
1.20mm Crimp Style Connectors				
UNIT	SCALE	SHEET	REV	NUMBER
mm	1:1	1/1	K	A-000